

Globe Valves

Type 01252 - Bellow Sealed Globe Valve



Cryogenic-Bellow Sealed Globe Valve, PN50

Stainless steel body and topwork,
 "live loaded" gland packing
 "cleaned and degreased for oxygen service"

Part No. 01252.X.002*

* Butt weld connection for stainless steel pipes acc. to ISO 1127 or ASTM A312

Part No. 01252.X.0024

Socket weld connection for stainless steel pipes acc. to ISO 1127 or ASTM A312

Available options - on request only:

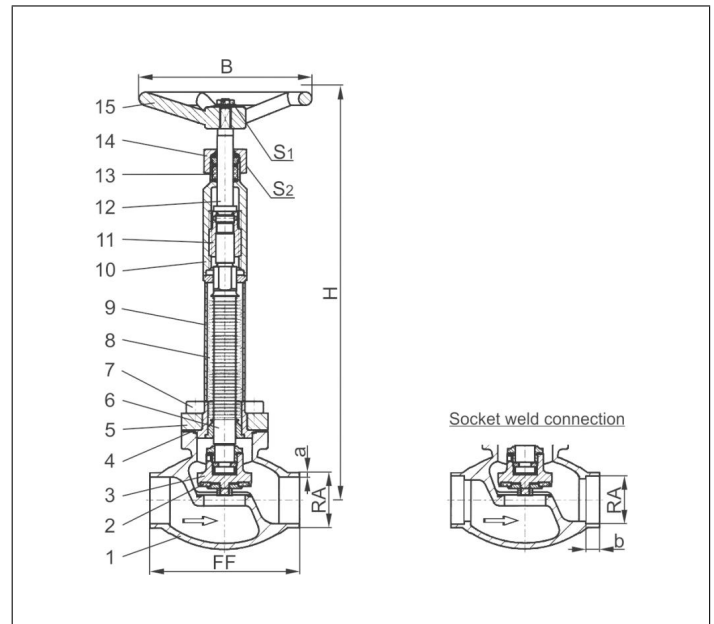
- Welded stainless steel stubs acc. to ISO 1127 or ASTM A312 - length FF + 200mm
- Extension H up to 900mm
- Valve with control disc (tapered design)
- Further pipe wall thicknesses

Applications:

Approved for air gases, vapours and cryogenic liquefied gases incl. LNG.
 Working temperature: -196°C / -321°F (77K) up to +120°C / +248°F (393K)
 Leak rate: 10⁻⁶ mbar ltr / sec outside
 10⁻⁴ mbar ltr / sec seat



Materials	DIN EN	ASTM
1 Body	1.4308	A 351 CF8
2 Valve seal	PTFE / Carbon filled (25%)	
3 Disc	1.4301	A 276 Grade 304
4 Bonnet gasket	PTFE	
5 Headpiece	1.4301	A 276 Grade 304
6 Bellow stem	1.4571	A 276 Grade 316Ti
7 Bolts	1.4301/A2	A 194 B8
8 Bellow	1.4571	A 276 Grade 316Ti
9 Elongation tube	1.4541	A 213 TP 321
10 Headpiece	1.4301	A 276 Grade 304
11 Bush	CW452K	B 159 UNS C51900
12 Stem	1.4301	A 276 Grade 304
13 Gland packing	Graphite / PTFE / MICA	
14 Gland nut	1.4305	A 276 Grade 303
15 Handwheel	Aluminium alloy	



Type 01252 - Standard design	Technical data										
Nominal size	DN	10	15	15	20	25	32	40	40	50	
Dimension code	.X.	1012	1517	1521	2026	2533	3238	4042	4048	5060	
Face-to-face dimension	FF	70	85	85	100	115	115	130	130	155	
Height	H	380	380	380	380	380	380	380	380	380	
Outside pipe-Ø ISO 1127	RA	12.0	17.2	21.3	26.9	33.7	38.0	42.4	48.3	60.3	
Wall thickness pipe ISO 1127	a	1.0	1.6	2.0	2.0	2.0	2.0	2.0	2.0	2.0	
Outside pipe-Ø ASTM A312	RA	13.72	17.15	21.34	26.67	33.40	-	42.16	48.26	60.33	
Wall thickness pipe ASTM A312	a	dimensions acc. to S10 or S40									
Socket depth	b	6	10	10	13	13	-	13	13	16	
Handwheel-Ø	B	150	150	150	150	150	150	150	150	150	
Wrench size across flats	S ₁	7	7	7	7	7	10	10	10	10	
Wrench size across flats	S ₂	30	30	30	30	30	36	36	36	36	
Weight	ca. kg	1.6	1.85	1.9	2.3	2.7	3.6	5.1	5.1	7.7	
Kvs-Value	m ³ /h	1.6	2.8	4.3	6.7	11.5	14.0	20.6	22.6	37.1	
Cv-Value	gal/min	1.9	3.3	5.0	7.8	13.4	16.2	23.9	26.3	43.2	

Dimensions in mm.