

# Globe Valves

## Type 01301 - Globe Valve



### Cryogenic-Globe and Globe/Check Valves, PN50

Bronze body and topwork  
 "live loaded" gland packing  
 "cleaned and degreased for oxygen service"

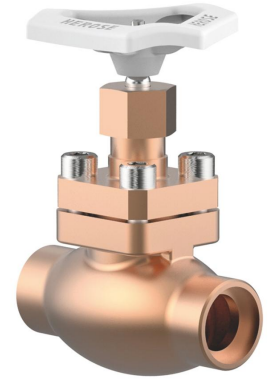
**Part No. 01301.X.0001**

**Part No. 01301.X.5001 Globe/Check Valve**

Socket end for copper pipes acc. to DIN EN 12449 or ASTM B88

Available options - on request only:

- Socket end for stainless steel pipes acc. to ISO 1127
- Valve with control disc (tapered design)



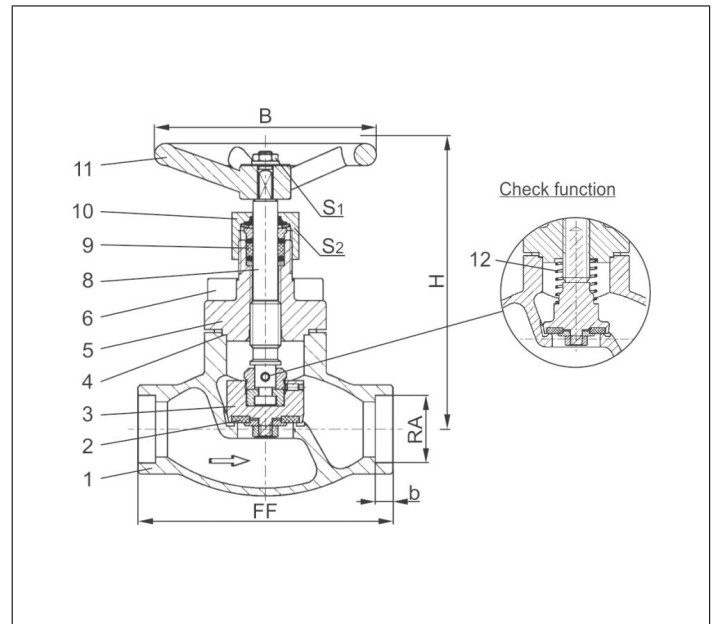
### Applications:

Approved for air gases, vapours and cryogenic liquified gases incl. LNG.

Working temperature: -196°C / -321°F (77K) up to +120°C / +248°F (393K)

Recommended working temperature: -60°C / -76°F (213K) up to +120°C / +248°F (393K)

Materials	DIN EN	ASTM
1 Body	CC491K	B 62 UNS C83600
2 Valve seal	PTFE / Carbon filled (25%)	
3 Disc	CW614N	B 283 UNS C38500
4 Bonnet gasket	PTFE	
5 Headpiece	CC493K	B 505 UNS C93200
6 Bolts	1.4301/A2 A 194 B8	
8 Stem	1.4301 A 276 Grade 304	
9 Gland packing	Graphite / PTFE	
10 Gland nut	CW614N	B 283 UNS C38500
11 Handwheel	Aluminium alloy	
12 Spring	CW452K	B 159 UNS C51900



Type 01301 - Standard design	Technical data							
Nominal size	DN	10	15	20	25	32	40	50
Dimension code	.X.	X=DNRA, Example: valve DN10 for copper pipe RA <sub>Ø</sub> 12mm, X=1012						
Face-to-face dimension	FF	60	85	85	115	115	140	160
Height	H	140	140	140	140	170	175	200
Outside pipe-Ø	RA	dependent on order						
Socket depth	b	6	6	8	8	10	13	20
Handwheel-Ø	B	100	100	100	100	125	125	125
Wrench size across flats	S <sub>1</sub>	7	7	7	7	10	10	10
Wrench size across flats	S <sub>2</sub>	30	30	30	30	36	36	36
Weight	ca. kg	1.0	1.3	1.7	2.0	2.8	4.2	6.7
Kvs-Value	m <sup>3</sup> /h	1.6	4.3	6.7	11.5	12.1	22.6	37.1
Cv-Value	gal/min	1.9	5.0	7.8	13.4	14.1	26.3	43.2

Dimensions in mm.