

# Actuated Valves and Actuators

## Type 01313 - Actuated Globe Valve



### Cryogenic-Globe Valves with Pneumatic Actuator, PN50

Bronze body and stainless steel topwork (internal parts bronze)

Actuator - air opens, spring closes or contrary

"live loaded" gland packing

"cleaned and degreased for oxygen service" - the actuator is not cleaned and degreased for oxygen

#### Part No. 01313.X.\*010

Socket end for copper pipes acc. to DIN EN 12449 or ASTM B88

Available accessories:

- Solenoid valve
- Limit switch
- Electropneumatic positioner etc.

Available options - on request only:

- Socket end for stainless steel pipes acc. to ISO 1127
- Actuator "cleaned and degreased for oxygen service"
- Electric actuator
- Valve with check disc

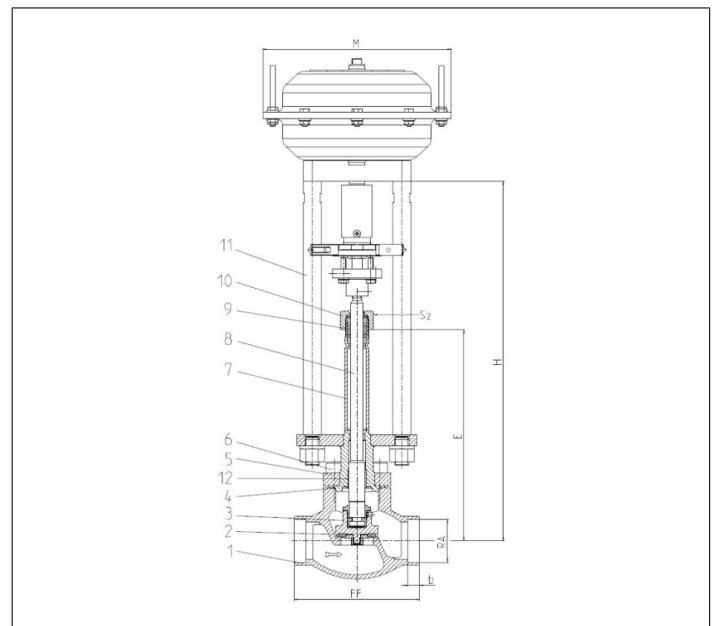


#### Applications:

Approved for air gases, vapours and cryogenic liquefied gases incl. LNG.

Working temperature: -196°C / -321°F (77K) up to +120°C / +248°F (393K)

Materials	DIN EN	ASTM
1 Body	CC491K	B 62 UNS C83600
2 Valve seal	PTFE / Carbon filled (25%)	
3 Disc	CW614N	B 283 UNS C38500
4 Bonnet gasket	PTFE	
5 Headpiece	1.4301	A 276 Grade 304
6 Bolts	1.4301/A2	A 194 B8
7 Elongation tube	1.4541	A 213 TP 321
8 Stem	1.4301	A 276 Grade 304
9 Gland packing	Graphite / PTFE / MICA	
10 Gland nut	CW614N	B 283 UNS C38500
11 Pillars	1.4404	A 276 Grade 316L
12 Bush	CW452K	B 159 UNS C51900



Type 01313 - Standard design	Technical data							
Nominal size	DN	10	15	20	25	32	40	50
Dimension code	.X.	X=DNRA, Example: valve DN 15 for copper pipe RA Ø 18mm, X=1518						
Face-to-face dimension	FF	60	85	85	115	115	140	160
Height	H	370	370	370	375	405	420	425
Length	E	195	195	200	200	230	230	235
Outside pipe-Ø	RA	dependent on order						
Socket depth	b	6	6	8	8	10	13	20
Actuator-Ø	M	dependent on actuator						
Wrench size across flats	S <sub>2</sub>	30	30	30	30	36	36	36
Weight w/o actuator	ca. kg	1.6	2.3	2.7	3.1	4.3	6.2	9.2
*Kvs-Value	m <sup>3</sup> /h	1.6	4.3	6.7	11.5	12.1	22.6	37.1
*Cv-Value	gal/min	1.9	5.0	7.8	13.4	14.1	26.3	43.2
Stroke	mm	10	10	7	9	9	11	15

Dimensions in mm. \* These figures refer to measurements for the flow direction.