

# Actuated Valves and Actuators

## Type 01428 - Actuated Globe Valve T-Model



### Top Entry Cryogenic-Globe Valves with Pneumatic Actuator, PN50

Stainless steel body and topwork

"live loaded" gland packing

"cleaned and degreased for oxygen service" - the actuator is not cleaned and degreased for oxygen

**Part No. 01428.X.C3C22 (DN15, DN25)**

**Part No. 01428.X.C3C32 (DN40, DN50)**

Available accessories/options - on request only:

- Solenoid valve · Limit switch · Electropneumatic positioner etc.
- Extension H and A acc. to customer specification
- Actuator "cleaned and degreased for oxygen service"
- Valve with check disc, valve with control disc (tapered design)

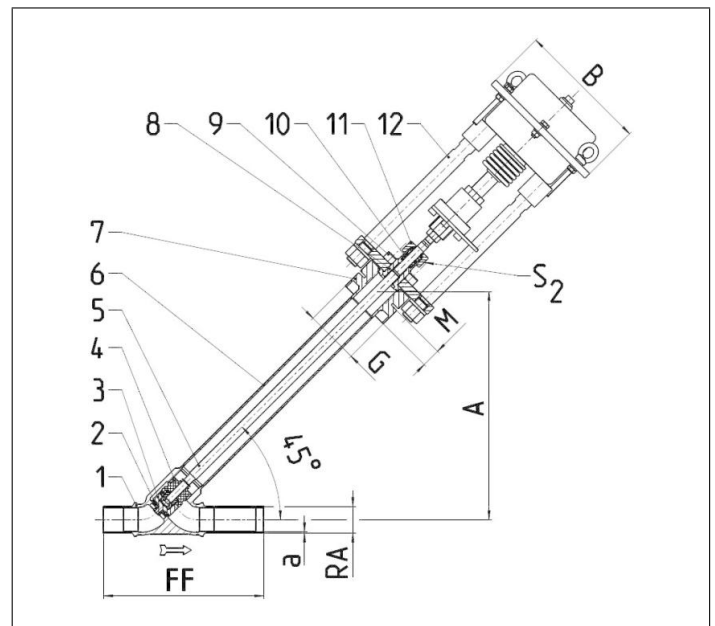


### Applications:

Approved for air gases, vapours and cryogenic liquefied gases.

Working temperature: -196°C / -321°F (77K) up to +120°C / +248°F (393K)

Materials	DIN EN	ASTM
1 Body	1.4308	A 351 CF8
2 Valve seal	PTFE / Carbon filled (25%)	
3 Disc	1.4301	A 276 Grade 304
4 Guide bush	CW453K	B 103 UNS C52100
5 Stem	1.4301	A 276 Grade 304
6 Tube	1.4301	A 276 Grade 304
7 Headpiece flange	1.4301	A 276 Grade 304
8 Cold box feature	1.4301	A 276 Grade 304
9 Bolts	A2-70	B8
10 Gland packing	Graphite / PTFE / Mica	
11 Gland nut	1.4404	A 276 Grade 316L
12 Pillars	1.4404	A 276 Grade 316L



Type 01428 - T-Model	Technical data				
<b>Nominal size</b>	<b>DN</b>	<b>15</b>	<b>25</b>	<b>40</b>	<b>50</b>
Dimension code	.X.	1521	2533	4048	5060
Face-to-face dimension	FF	178	203	265	344
Height	H	497	497	612	616
Actuator-Ø	B	dependent on actuator			
Outside pipe-Ø ASTM A312	RA	21.34	33.40	48.26	60.33
Wall thickness pipe ASTM A312	a	dimensions acc. to S10 or S40			
Length	A	290	290	351	350
Length	G	68	68	109	134.5
Length	M	14	24	19	22
Wrench size across flats	S <sub>2</sub>	27	27	32	32
Weight without actuator	ca. kg	3.8	4.4	9.8	13.7
*Kvs-Value	m <sup>3</sup> /h	4.3	11.5	20.6	37.1
*Cv-Value	gal/min	4.9	13.3	32.0	51.0
Stroke	mm	5.7	15.6	37.4	59.7

Dimensions in mm. \* These figures refer to measurements for the flow direction.