

Offshore Valves

Type 01470 - Globe Valve



Top Entry Cryogenic-Globe Valves, PN50 (DN100=PN40)

Stainless steel body and topwork,
 "live loaded" gland packing
 "cleaned and degreased for oxygen service"

Part No. 01470.X.0*8*

Butt weld connection for stainless steel pipes acc. to ISO 1127 or ASTM A312

Available options - on request only:

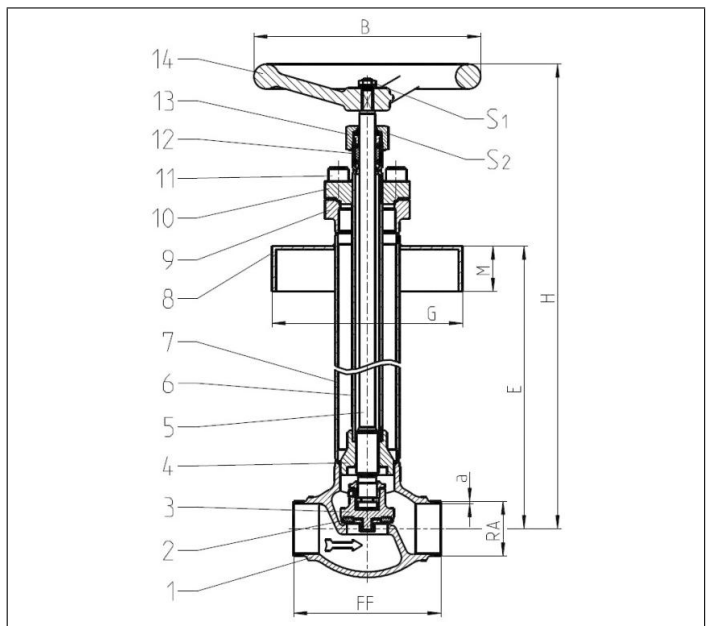
- Extension H and E acc. to customer specification
- Valve with check disc



Applications:

Approved for air gases, vapours and cryogenic liquefied gases incl. LNG.
 Working temperature: -255°C / -427°F (18K) up to +120°C / +248°F (393K)

Materials	DIN EN	ASTM
1 Body	1.4409	A 351 CF3M
2 Valve seal	PCTFE	
3 Disc	1.4404	A 276 Grade 316L
4 Guide bush	CW453K	B 103 UNS C52100
5 Stem	1.4404	A 276 Grade 316L
6 Elongation tube	1.4571	A 213TP 316Ti
7 Elongation tube	1.4571	A 213TP 316Ti
8 Cold box feature	1.4571	A 213TP 316Ti
9 Headpiece flange	1.4404	A 276 Grade 316L
10 Headpiece	1.4404	A 276 Grade 316L
11 Bolts	1.4571/A4	similar A 193 B8T
12 Gland packing	Graphite / PTFE / MICA	
13 Gland nut	1.4404	A 276 Grade 316L
14 Handwheel	1.4409	A 351 CF3M



Type 01470 - Standard design	Technical data										
Nominal size	DN	10	15	20	25	40	50	65	80	100	
Dimension code	.X.	1013	1521	2026	2533	4048	5060	6573	8088	0114	
Face-to-face dimension	FF	70	85	100	115	130	155	205	245	280	
Height	H	690	690	690	690	710	780	790	840	960	
Handwheel-Ø	B	100	100	100	100	200	200	250	315	315	
Outside pipe -Ø ASTM A312	RA	13.50	21.34	26.67	33.40	48.26	60.33	73.02	88.90	114.30	
Wall thickness pipe ASTM A312	a	dimensions acc. to S10 or S40									
Length	A	540	540	540	540	540	610	610	640	750	
Length	G	acc. to customer specification									
Length	M	acc. to customer specification									
Wrench size across flats	S ₁	10	10	10	10	13	13	13	13	13	
Wrench size across flats	S ₂	27	27	27	27	32	32	41	41	41	
Weight	ca. kg	4.0	4.0	4.8	5.1	9.1	11.5	19.6	26.9	37.4	
Kvs-Value	m ³ /h	1.6	4.3	6.7	11.5	22.6	37.1	71.1	104.0	168.0	
Cv-Value	gal/min	1.9	5.0	7.8	13.4	26.3	43.2	82.9	121.3	196.0	
Stroke	mm	11	12	12	12	15	19	23	25	30	

Dimensions in mm.