

# Offshore Valves

## Type 01473 - Actuated Globe Valve



### Top Entry Cryogenic-Globe Valves with Pneumatic Actuator, PN50 (DN100=PN40)

Stainless steel body and topwork

"live loaded" gland packing

"cleaned and degreased for oxygen service" - the actuator is not cleaned and degreased for oxygen

#### Part No. 01473.X.3081

Butt weld connection for stainless steel pipes acc. to ISO 1127 or ASTM A312

Available accessories/options - on request only:

- Solenoid valve · Limit switch · Electropneumatic positioner etc.
- Extension H and A acc. to customer specification
- Actuator "cleaned and degreased for oxygen service"
- Valve with check disc, valve with control disc (tapered design)

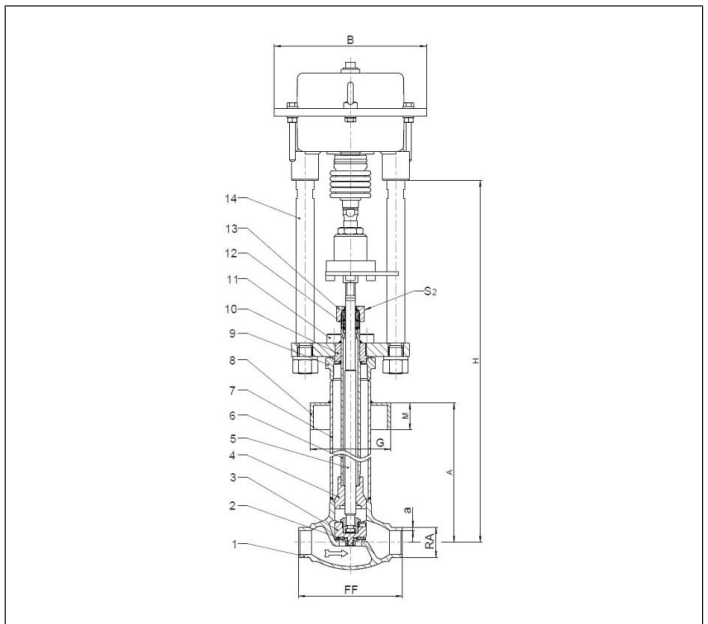


#### Applications:

Approved for air gases, vapours and cryogenic liquefied gases incl. LNG.

Working temperature: -255°C / -427°F (18K) up to +120°C / +248°F (393K)

Materials	DIN EN	ASTM
1 Body	1.4409	A 351 CF3M
2 Valve seal	PCTFE	
3 Disc	1.4404	A 276 Grade 316L
4 Guide bush	CW453K	B 103 UNS C52100
5 Stem	1.4404	A 276 Grade 316L
6 Elongation tube	1.4571	A 213TP 316Ti
7 Elongation tube	1.4571	A 213TP 316Ti
8 Cold box feature	1.4571	A 213TP 316Ti
9 Headpiece flange	1.4404	A 276 Grade 316L
10 Headpiece	1.4404	A 276 Grade 316L
11 Bolts	1.4571/A4	similar A 193 B8T
12 Gland packing	Graphite / PTFE / MICA	
13 Gland nut	1.4404	A 276 Grade 316L
14 Pillars	1.4404	A 276 Grade 316L



Type 01473 - Standard design	Technical data									
Nominal size	DN	10	15	20	25	40	50	65	80	100
Dimension code	.X.	1013	1521	2026	2533	4048	5060	6573	8088	0114
Face-to-face dimension	FF	70	85	100	115	130	155	205	245	280
Height	H	770	785	790	790	820	910	1105	1110	1290
Actuator-Ø	B	dependent on actuator								
Outside pipe-Ø ASTM A312	RA	13.50	21.34	26.67	33.40	48.26	60.33	73.00	89.00	114.30
Wall thickness pipe ASTM A312	a	dimensions acc. to S10 or S40								
Length	A	540	540	540	540	540	610	610	640	750
Length	G	acc. to customer specification								
Length	M	acc. to customer specification								
Wrench size across flats	S <sub>2</sub>	27	27	27	27	32	32	41	41	41
Stroke	mm	10	10	7	9	11	15	23	23	30
Weight without actuator	ca. kg	5.7	5.5	6.0	7.0	10.0	11.5	28.3	34.3	49.2
*Kvs-Value	m <sup>3</sup> /h	1.6	4.3	6.7	11.5	20.6	37.1	71.1	104.0	168.0
*Cv-Value	gal/min	1.9	5.0	7.8	13.4	23.9	43.2	82.9	121.3	196.0

Dimensions in mm. \* These figures refer to measurements for the flow direction.