

Fire Safe and Offshore Valves

Type 01841 - Globe Valve



Cryogenic Globe Valves, DN200

“Fire safe” type test approval acc. to EN ISO 10497

Stainless steel body and topwork
"live loaded" gland packing

Part No. 01841.0219.001* (H=560), PN20/PN25

Part No. 01841.0219.006* (H=1000), PN20/PN25

*Butt weld connection for stainless steel pipes acc. to ISO 1127 or ASTM A312

Part No. 01841.0219.00*4, PN25

Socket weld connection for stainless steel pipes acc. to ISO 1127 or ASTM A312

In flow direction, the valve with the nominal size DN200 is conform to tightness class L1 up to 9 bar maximum differential pressure acc. to DIN 12567 for LNG use.
This standard can also be used for the tightness class of other cryogenic gases.

Available options - on request only

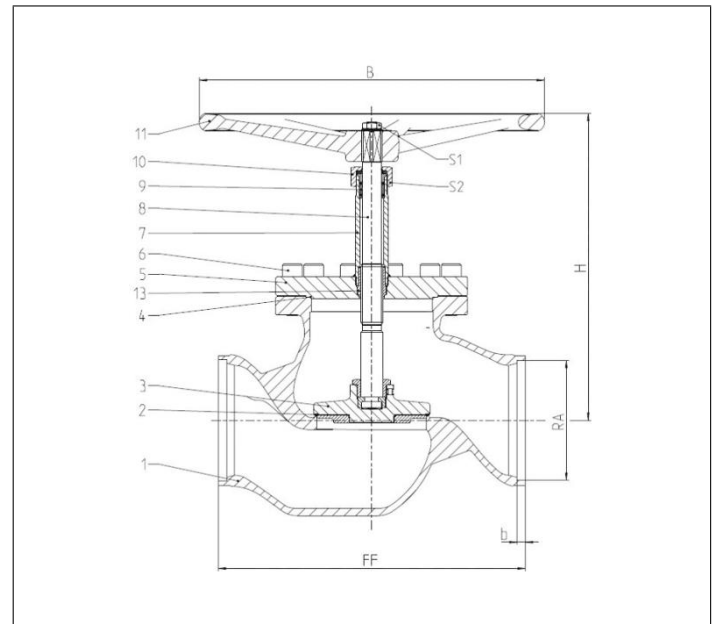
Applications:

Approved for air gases, vapours and cryogenic liquefied gases incl. LNG.

Working temperature: -196°C / -321°F (77K) up to +120°C / +248°F (393K)



| Materials | DIN EN | ASTM |
|-------------------|----------------------------|-------------------|
| 1 Body | 1.4409 | A 351 CF3M |
| 2 Valve seal | PTFE / Carbon filled (25%) | |
| 3 Disc | 1.4404 | A 276 Grade 316L |
| 4 Bonnet gasket | Graphite | |
| 5 Headpiece | 1.4404 | A 276 Grade 316L |
| 6 Bolts | 1.4571/A4 | similar A 194 B8T |
| 7 Elongation tube | 1.4571 | A 213 TP 316Ti |
| 8 Stem | 1.4404 | A 276 Grade 316L |
| 9 Gland packing | Graphite / PTFE / MICA | |
| 10 Gland nut | 1.4404 | A 276 Grade 316L |
| 11 Handwheel | 1.4571 | A 213 TP 316Ti |
| 13 Bush | CW452K | B 159 UNS C51900 |



| Type 01841 - Standard design | Technical data | |
|-------------------------------|-------------------|-------------------------------|
| Nominal size | DN | 200 |
| Dimension code | .X. | 0219 |
| Face-to-face dimension | FF | 560 |
| Height | H | 560 |
| Outside pipe-Ø ISO 1127 | RA | 219.1 |
| Wall thickness pipe ISO 1127 | a | 6.3 |
| Outside pipe-Ø ASTM A312 | RA | 219.1 |
| Wall thickness pipe ASTM A312 | a | dimensions acc. to S10 or S40 |
| Socket depth | b | 15 |
| Handwheel-Ø | B | 630 |
| Wrench size across flats | S ₁ | 30 |
| Wrench size across flats | S ₂ | 65 |
| Weight | ca. kg | 135 |
| Kvs-Value | m ³ /h | 680 |
| Cv-Value | gal/min | 793 |

Dimensions in mm.