

Fire Safe and Offshore Valves

Type 01843 - Actuated Globe Valve



Cryogenic-Globe Valves with Pneumatic Actuator, PN20/25
"Fire safe" type test approval acc. to EN ISO 10497

Stainless steel body and topwork
 Actuator - air opens, spring closes or contrary
 "live loaded" gland packing

Part No. 01843.0219.*01*

Butt weld connection for stainless steel pipes acc. to ISO 1127 or ASTM A312

Part No. 01843.0219.*014

Socket weld connection for stainless steel pipes acc. to ISO 1127 or ASTM A312

In flow direction, the valve with the nominal size DN200 is conform to tightness class L1 up to 18 bar maximum differential pressure acc. to DIN 12567 for LNG use. This standard can also be used for the tightness class of other cryogenic gases.

Available accessories/options - on request only:

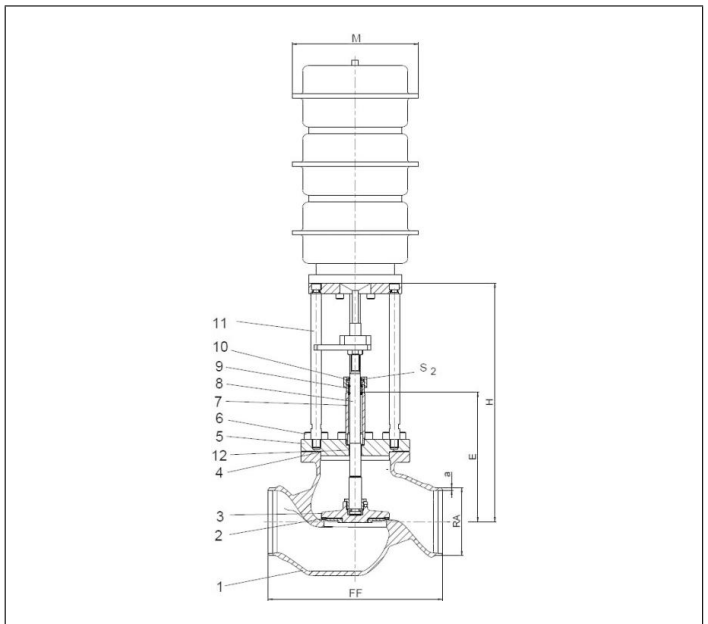
- Solenoid valve · Limit switch · Electropneumatic positioner etc.
- Welded stainless steel stubs acc. to ISO 1127 or ASTM A312
- Actuator "cleaned and degreased for oxygen service"
- Valve with check or control disc (tapered design)

Applications:

Approved for air gases, vapours and cryogenic liquefied gases incl. LNG.
 Working temperature: -196°C / -321°F (77K) up to +120°C / +248°F (393K)



Materials	DIN EN	ASTM
1 Body	1.4409	A 351 CF3M
2 Valve seal	PTFE / Carbon filled (25%)	
3 Disc	1.4404	A 276 Grade 316L
4 Bonnet gasket	Graphite	
5 Headpiece	1.4404	A 276 Grade 316L
6 Bolts	1.4571/A4	similar A 194 B8T
7 Elongation tube	1.4571	A 213 TP 316Ti
8 Stem	1.4404	A 276 Grade 316L
9 Gland packing	Graphite / PTFE / MICA	
10 Gland nut	1.4404	A 276 Grade 316L
11 Pillars	1.4404	A 276 Grade 316L
12 Bush	CW452K	B 159 UNS C51900



Type 01843 - Standard design	Technical data	
Nominal size	DN	200
Face-to-face dimension	FF	560
Height	H	785
Length	E	410
Outside pipe-Ø ISO 1127	RA	219.1
Wall thickness pipe ISO 1127	a	6.3
Outside pipe-Ø ASTM A312	RA	219.1
Wall thickness pipe ASTM A312	a	dimensions acc. to S10 or S40
Socket depth	b	15
Actuator-Ø	M	depent on actuator
Wrench size across flats	S ₂	65
Weight w/o actuator	ca. kg	165.0
*Kvs-Value	m ³ /h	680.0
*Cv-Value	gal/min	793.0
Stroke	mm	60

Dimensions in mm. * These figures refer to measurements for the flow direction.