

Globe Valves

Type 01950 - Globe Valve



Liquid Cylinder Valves (LCV), PN42

Brass body and topwork,
42.0 bar (4200 KPa)

"cleaned and degreased for oxygen service"

Handwheel colors: green, blue or grey

Part No. 01950.T001.XXXXXX (H=73mm)

Part No. 01950.T003.XXXXXX (H=107mm)

Part No. 01950.T005.XXXXXX (H=165mm)

Inlet: stub end, female thread type G (BSPP) or NPT

Outlet: stub end, female thread type G (BSPP) or NPT



Available options - on request only:

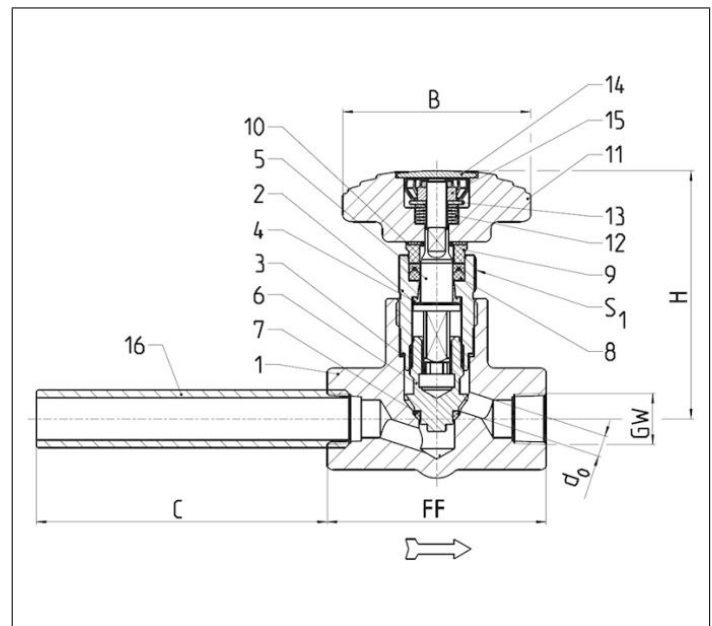
- Customised stub length
- Printed hub cap with customised design
- Additional handwheel color

Applications:

Approved for air gases, vapours and cryogenic liquefied gases.

Working temperature: -196°C / -321°F (77K) up to +75°C / +167°F (348K)

Materials	DIN EN	ASTM
1 Body	CW617N	B 283 UNS C37700
2 Bonnet	CW614N	B 455 UNS C38500
3 Gasket	Copper	
4 Stem seal gasket	PTFE	
5 Upper stem	CW614N	B 455 UNS C38500
6 Lower spindle	CW614N	B 455 UNS C38500
7 Disc	PCTFE	
8 V packing	PTFE	
9 Gland packing	CW614N	B 455 UNS C38500
10 Top washer	PTFE	
11 Handwheel	C.Alum. + P.C.	
12 Disc washer	1.4301	A 276 Grade 304
13 Flat washer	1.4301	A 276 Grade 304
14 Hub cap	Mild steel zinc plated powder coating	
15 Nyloc nut	1.4301	A 276 Grade 304
16 Stubs	1.4306	A 312 TP 304/304L



Type 01950 - Standard design	Technical data				
Nominal size	DN	6	8	10	15
Thread size	GW	1/8	1/4	3/8	1/2
Face-to-face dimension	FF	64.5	64.5	64.5	64.5
Height	H	73 / 107 / 165			
Orifice	d ₀	6.25	6.25	10.25	10.25
Stub length	C	53.85	53.85	53.85	53.85
Outside pipe-Ø ISO 1127	RA	10.2	13.5	17.2	21.3
Wall thickness pipe ISO 1127	a	1.6	2.0	2.0	2.0
Outside pipe-Ø ASTM A312	RA	10.3	13.7	17.1	21.3
Wall thickness pipe ASTM A312	a	dimensions acc. to S40			
Handwheel-Ø	B	67.0	67.0	67.0	67.0
Wrench size across flats	S ₁	22	22	22	22
Weight	ca. kg	0.65 / 0.75 / 0.83			
Kvs-Value	m ³ /h	0.94	0.94	1.78	1.74
Cv-Value	gal/min	1.09	1.09	2.08	2.01

Dimensions in mm.