

# Globe Valves

## Type 03252 - Bellow Sealed Globe Valve



### Cryogenic-Bellow Sealed Globe Valve, class 300

Stainless steel body and topwork,  
 "live loaded" gland packing  
 "cleaned and degreased for oxygen service"

#### Part No. 03252.X.0023

Flanged connection acc. to ASME B16.5 class 300

Available options - on request only:

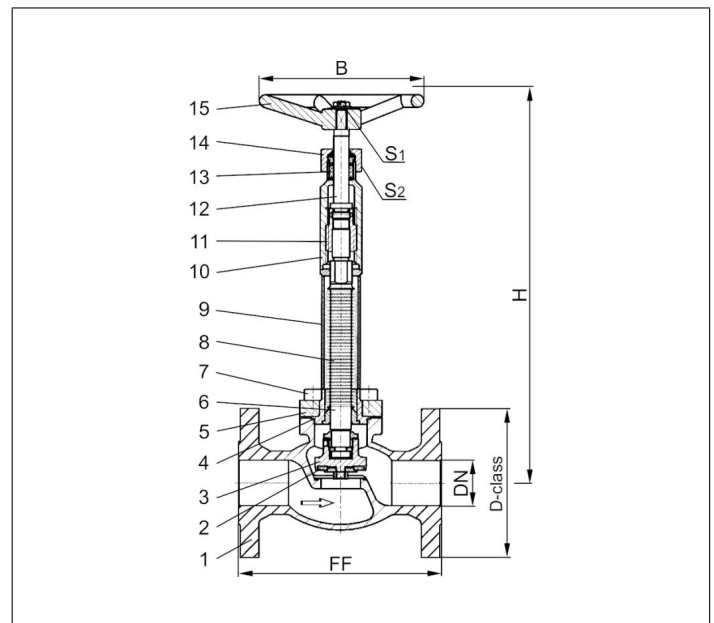
- Extension H up to 900mm
- Valve with control disc (tapered design)



### Applications:

Approved for air gases, vapours and cryogenic liquefied gases incl. LNG.  
 Working temperature: -196°C / -321°F (77K) up to +120°C / +248°F (393K)  
 Leak rate: 10<sup>-6</sup> mbar ltr / sec outside, 10<sup>-4</sup> mbar ltr / sec seat

Materials	DIN EN	ASTM
1 Body	1.4308	A 351 CF8
2 Valve seal	PTFE / Carbon filled (25%)	
3 Disc	1.4301	A 276 Grade 304
4 Bonnet gasket	PTFE	
5 Headpiece	1.4301	A 276 Grade 304
6 Bellow stem	1.4571	A 276 Grade 316Ti
7 Bolts	1.4301/A2	A 194 B8
8 Bellow	1.4571	A 276 Grade 316Ti
9 Elongation tube	1.4541	A 213 TP 321
10 Headpiece	1.4301	A 276 Grade 304
11 Bush	CW452K	B 159 UNS C51900
12 Stem	1.4301	A 276 Grade 304
13 Gland packing	Graphite / PTFE / MICA	
14 Gland nut	1.4305	A 276 Grade 303
15 Handwheel	Aluminium alloy	



Type 03252 - Standard design	Technical data					
Nominal size	DN	15	20	25	40	50
Dimension code - Flange ASME B16.5 class 300	.X.	0400	0600	1000	1400	2000
Flange-Ø	D-class	95	115	125	155	165
Face-to-face dimension	FF	140	150	160	200	230
Height	H	380	380	380	380	380
Handwheel-Ø	B	150	150	150	150	150
Wrench size across flats	S <sub>1</sub>	7	7	7	10	10
Wrench size across flats	S <sub>2</sub>	30	30	30	36	36
Weight	ca. kg	3.5	5.0	5.2	10.1	13.8
Kvs-Value	m <sup>3</sup> /h	4.3	6.7	11.5	22.6	37.1
Cv-Value	gal/min	5.0	7.8	13.4	26.3	43.2

Dimensions in mm.