

Globe Valves

Type 03341 - Globe Valve, ASME B16.5 Flanges



Cryogenic Globe Valves, class 150

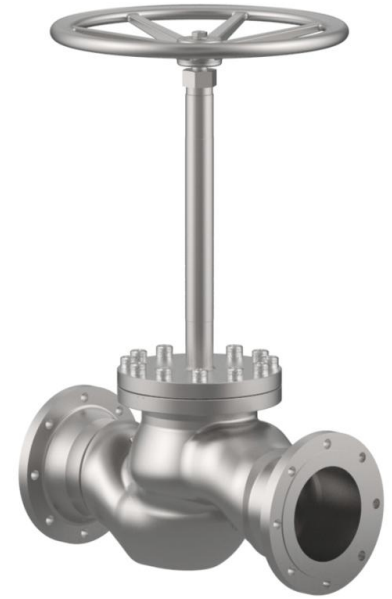
Stainless steel body and topwork,
"live loaded" gland packing

Part No. 03341.8000.0011 (H=560)

Flanged connection acc. to ASME B16.5 class 150

In flow direction, the valve with the nominal size DN200 is conform to tightness class L1 up to 12 bar maximum differential pressure acc. to DIN 12567 for LNG use. This standard can also be used for the tightness class of other cryogenic gases.

Available options - on request only

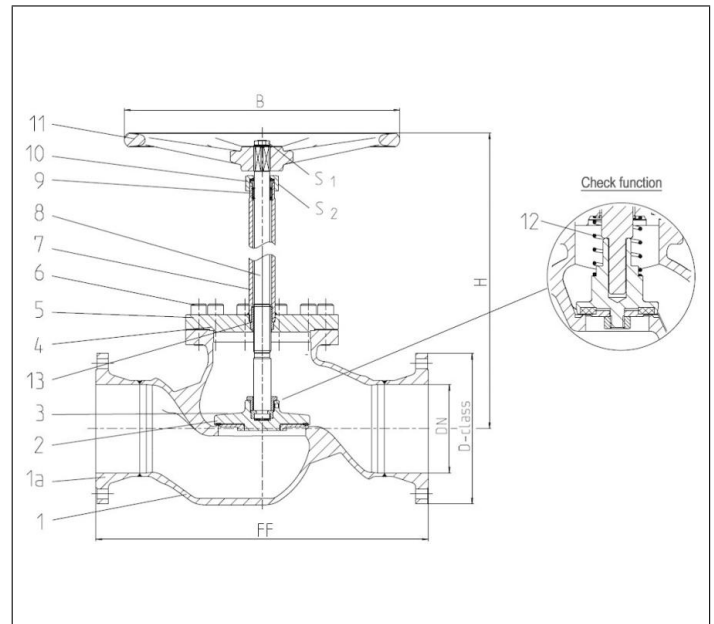


Applications:

Approved for air gases, vapours and cryogenic liquefied gases incl. LNG.

Working temperature: -196°C / -321°F (77K) up to +120°C / +248°F (393K)

| Materials | DIN EN | ASTM |
|-------------------|------------------------|-------------------|
| 1 Body | 1.4308 | A 351 CF8 |
| 1a Flange | 1.4301 | A 276 Grade 304 |
| 2 Valve seal | PTFE | |
| 3 Disc | 1.4301 | A 276 Grade 304 |
| 4 Bonnet gasket | PTFE | |
| 5 Headpiece | 1.4301 | A 276 Grade 304 |
| 6 Bolts | 1.4301/A2 | A 194 B8 |
| 7 Elongation tube | 1.4541 | A 213 TP 321 |
| 8 Stem | 1.4301 | A 276 Grade 304 |
| 9 Gland packing | Graphite / PTFE / MICA | |
| 10 Gland nut | 1.4305 | A 276 Grade 303 |
| 11 Handwheel | 1.4571 | A 313 Grade 316Ti |
| 12 Spring | 1.4310 | A 313 Grade 301 |
| 13 Bush | CW452K | B 159 UNS C51900 |



| Type 03341 - Standard design | Technical data | |
|------------------------------|-------------------|------|
| Nominal size | DN | 200 |
| Dimension code | .X. | 8000 |
| Flange-Ø | D-class | 345 |
| Face-to-face dimension | FF | 760 |
| Height | H | 560 |
| Handwheel-Ø | B | 630 |
| Wrench size across flats | S ₁ | 30 |
| Wrench size across flats | S ₂ | 65 |
| Weight | ca. kg | 135 |
| Kvs-Value | m ³ /h | 680 |
| Cv-Value | gal/min | 793 |

Dimensions in mm.