

Check Valves

Type 05411 - Check Valve

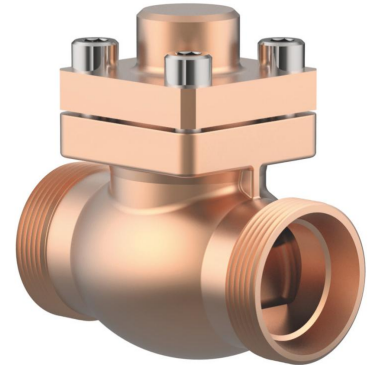


Cryogenic-Check Valves, PN50

Bronze body and cap
with spring, opening pressure ca. 0.1 bar
"cleaned and degreased for oxygen service"

Part No. 05411.X.0001

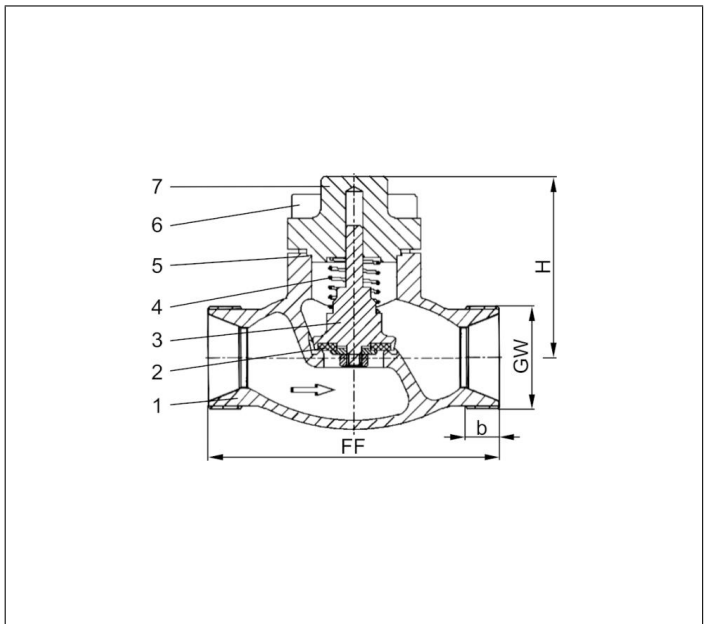
Male thread for union connection



Applications:

Approved for air gases, vapours and cryogenic liquefied gases incl. LNG.
Working temperature: -196°C / -321°F (77K) up to +120°C / +248°F (393K)

| Materials | DIN EN | ASTM |
|-----------------|----------------------------|------------------|
| 1 Body | CC491K | B 62 UNS C83600 |
| 2 Valve seal | PTFE / Carbon filled (25%) | |
| 3 Disc | CW614N | B 283 UNS C38500 |
| 4 Spring | CW452K | B 159 UNS C51900 |
| 5 Bonnet gasket | PTFE | |
| 6 Bolts | 1.4301/A2 A 194 B8 | |
| 7 Cap | CC493K | B 505 UNS C93200 |



| Type 05411 - Standard design | Technical data | | | | | |
|------------------------------|-------------------|---------|---------|---------|---------|---------|
| Nominal size | DN | 10 | 20 | 32 | 40 | 50 |
| Dimension code | .X. | 0100 | 0200 | 0320 | 0400 | 0500 |
| Face-to-face dimension | FF | 60 | 85 | 115 | 140 | 160 |
| Height | H | 71 | 72 | 87 | 95 | 95 |
| Union thread | GW | M26x1.5 | M40x2.0 | M55x2.0 | M65x2.0 | M78x2.0 |
| Thread length | b | 7 | 11 | 14 | 17 | 20 |
| Weight | ca. kg | 0.7 | 1.3 | 2.4 | 3.9 | 5.7 |
| Kvs-Value | m ³ /h | 2.2 | 6.7 | 12.1 | 22.6 | 37.1 |
| Cv-Value | gal/min | 2.6 | 7.8 | 14.1 | 26.3 | 43.2 |

Dimensions in mm. Leakage rates will be provided on request