

# Check Valves

## Type 05411 - Check Valve



### Cryogenic-Check Valves, PN50

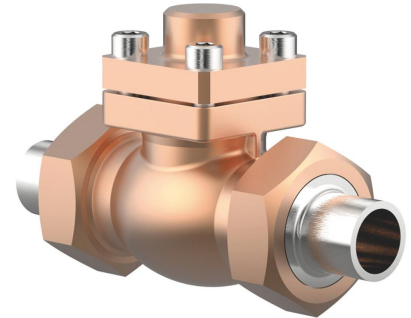
Bronze body and cap  
with spring, opening pressure ca. 0.1 bar  
"cleaned and degreased for oxygen service"

#### Part No. 05411.X.0007

Completed with union type butt weld fittings for stainless steel pipes  
acc. to ISO 1127 or ASTM A312

Available options - on request only:

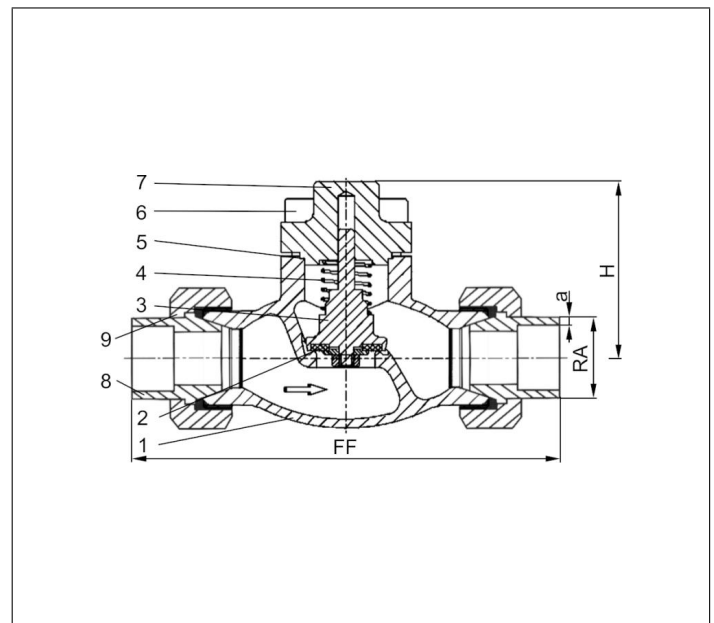
- Further pipe wall thicknesses



#### Applications:

Approved for air gases, vapours and cryogenic liquefied gases incl. LNG.  
Working temperature: -196°C / -321°F (77K) up to +120°C / +248°F (393K)

Materials	DIN EN	ASTM
1 Body	CC491K	B 62 UNS C83600
2 Valve seal	PTFE / Carbon filled (25%)	
3 Disc	CW614N	B 283 UNS C38500
4 Spring	CW452K	B 159 UNS C51900
5 Bonnet gasket	PTFE	
6 Bolts	1.4301/A2 A 194 B8	
7 Cap	CC493K	B 505 UNS C93200
8 Weld fitting	1.4301	A 276 Grade 304
9 Union nut	CC493K	B 505 UNS C93200



Type 05411 - Standard design	Technical data								
Nominal size	DN	10	10	20	20	32	32	40	50
Dimension code	.X.	1012	1017	1521	2027	2533	3242	4048	5060
Face-to-face dimension	FF	137	141	168	168	203	203	230	263
Height	H	71	71	72	72	87	87	95	95
Outside pipe-Ø ISO 1127	RA	12.0	17.2	21.3	26.9	33.7	42.4	48.3	60.3
Wall thickness pipe ISO 1127	a	1.0	2.3	2.6	2.0	3.2	2.0	3.6	3.6
Outside pipe-Ø ASTM A312	RA	-	17.15	21.34	26.67	33.40	42.16	48.26	60.33
Wall thickness pipe ASTM A312	a	dimensions acc. to S10 or S40							
Weight	ca. kg	0.9	0.9	2.0	2.0	3.6	3.6	6.0	8.5
Kvs-Value	m <sup>3</sup> /h	1.6	2.2	6.7	6.7	12.1	12.1	22.6	37.1
Cv-Value	gal/min	1.9	2.6	7.8	7.8	14.1	14.1	26.3	43.2

Dimensions in mm. Leakage rates will be provided on request