

Check Valves

Type 05415 - Check Valve



Cryogenic-Check Valves, PN50

Stainless steel body and bronze cap
with spring, opening pressure ca. 0.1 bar
"cleaned and degreased for oxygen service"

Part No. 05415.X.0001

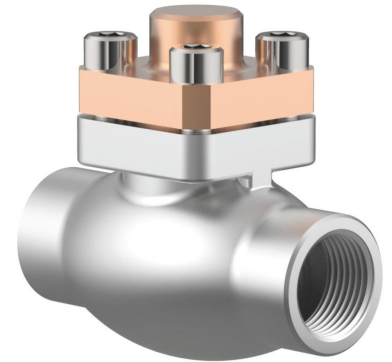
Female thread connection (G) acc. to ISO 228/1

Part No. 05415.X.0006

Female thread connection NPT acc. to ANSI B 1.20.1

Available options - on request only:

· Female thread connection (R) acc. to ISO 7-Rc

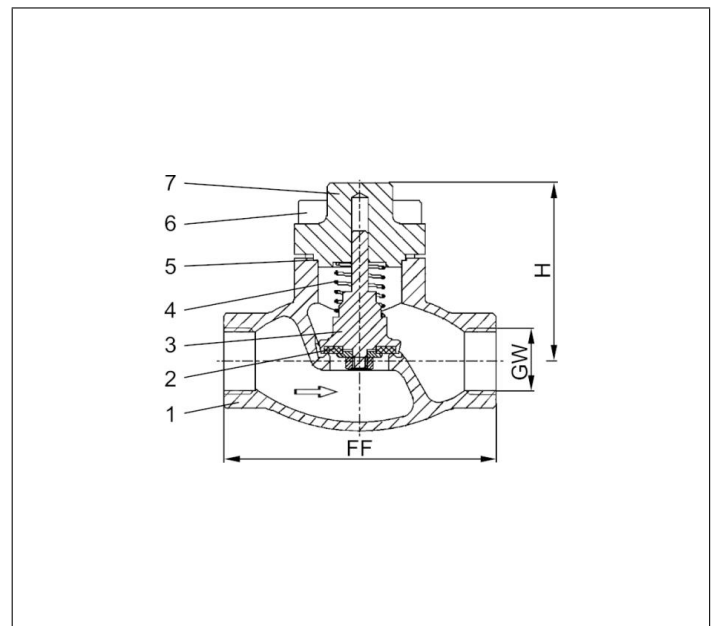


Applications:

Approved for air gases, vapours and cryogenic liquefied gases incl. LNG.

Working temperature: -196°C / -321°F (77K) up to +120°C / +248°F (393K)

| Materials | DIN EN | ASTM |
|-----------------|----------------------------|------------------|
| 1 Body | 1.4308 | A 351 CF8 |
| 2 Valve seal | PTFE / Carbon filled (25%) | |
| 3 Disc | CW614N | B 283 UNS C38500 |
| 4 Spring | CW452K | B 159 UNS C51900 |
| 5 Bonnet gasket | PTFE | |
| 6 Bolts | 1.4301/A2 | A 194 B8 |
| 7 Cap | CC493K | B 505 UNS C93200 |



| Type 05415 - Standard design | Technical data | | | | | | | | |
|------------------------------|-------------------|------|------|------|------|------|-------|-------|------|
| Nominal size | DN | 10 | 10 | 15 | 20 | 25 | 32 | 40 | 50 |
| Thread size | GW | 1/4 | 3/8 | 1/2 | 3/4 | 1 | 1-1/4 | 1-1/2 | 2 |
| Dimension code | .X. | 0200 | 0300 | 0400 | 0600 | 1000 | 1200 | 1400 | 2000 |
| Face-to-face dimension | FF | 70 | 70 | 85 | 100 | 115 | 130 | 130 | 155 |
| Height | H | 71 | 71 | 71 | 72 | 75 | 95 | 95 | 95 |
| Weight | ca. kg | 0.7 | 0.7 | 1.0 | 1.3 | 1.6 | 3.9 | 3.9 | 5.7 |
| Kvs-Value | m ³ /h | 1.6 | 2.2 | 4.3 | 6.7 | 11.5 | 20.6 | 22.6 | 37.1 |
| Cv-Value | gal/min | 1.9 | 2.6 | 5.0 | 7.8 | 13.4 | 23.9 | 26.3 | 43.2 |

Dimensions in mm. Leakage rates will be provided on request