

# Overflow Valves

## Type 06001



**Cryogenic Overflow Valves, angle type, bronze with elbow and silencer for noise reduction, PN40, not type tested**

with adjusting device,  
with carbon filled PTFE valve seal  
Inlet: male thread type G (BSPP) acc. to ISO 228/1  
"cleaned and degreased for oxygen service"

- Part No. 06001.0400.9001 (11.0 up to 16.0 bar)**
- Part No. 06001.0400.9002 (16.0 up to 21.0 bar)**
- Part No. 06001.0400.9003 (22.0 up to 28.0 bar)**
- Part No. 06001.0400.9004 (28.0 up to 36.0 bar)**

Available options - on request only:  
· other spring ranges acc. to customer specification



### Applications:

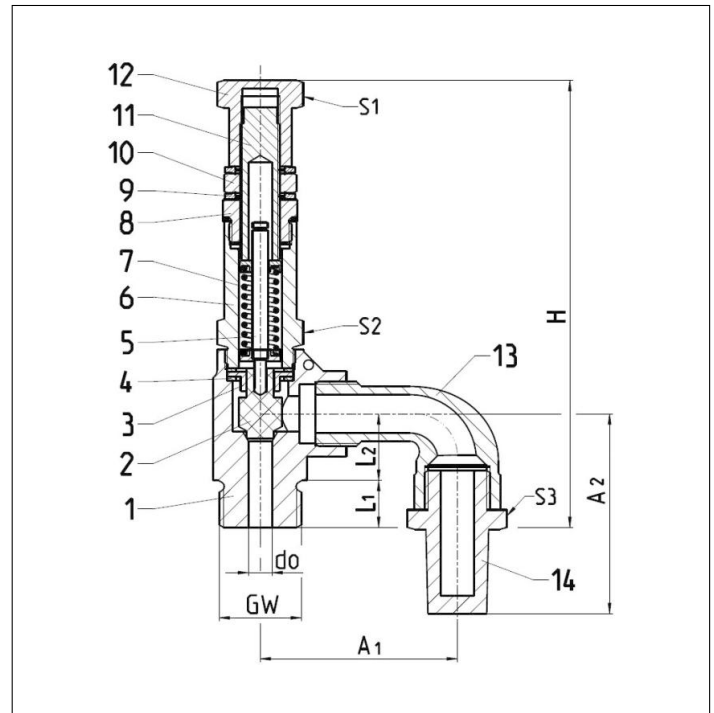
Provided as overflow valve for protection against excessive pressure in pipe systems and pressure vessels, which are not subject to approval.

Working temperature: -196°C / -321°F (77K) up to +65°C / +149°F (338K)

Materials	DIN EN	ASTM
1 Body	CW610N	B 283 UNS C36500
2 Disc	PTFE / Carbon filled (25%)	
3 Guide plate	CW614N	B 283 UNS C38500
4 Copper ring	Copper	Copper
5 Stem	CW614N	B 283 UNS C38500
6 Bonnet	CW614N	B 283 UNS C38500
7 Spring	1.4571	A 313 Grade 316Ti
8 Cap	CW614N	B 283 UNS C38500
9 Ring	FKM/V4A	
10 Nut	CW614N	B 283 UNS C38500
11 Adjusting screw	CW614N	B 283 UNS C38500
12 Closing cap	CW614N	B 283 UNS C38500
13 Elbow	CW614N	B 283 UNS C38500
14 Silencer	CC483K	B 30 UNS C90800

**Important:** Adjusting ranges of springs are marked with a label on the bonnet.

Not to use as equipment with safety function acc. to Pressure Equipment Directive 2014/68/EU (PED) (No CE marking).



Type 06001	Technical data	
<b>Nominal size</b>	<b>GW</b>	<b>1/2</b>
Orifice	d <sub>0</sub>	6.0
Dimension code	.X.	0400
Height	H	103
Length	L <sub>1</sub>	12
Length	L <sub>2</sub>	17
Length	A <sub>1</sub>	51
Wrench size across flats	S <sub>1</sub>	19
Wrench size across flats	S <sub>2</sub>	19
Wrench size across flats	S <sub>3</sub>	22
Weight	ca. kg	0.39

Dimensions in mm.

# Overflow Valves

## Type 06001



### Discharge capacities

Calculation of flow rate acc. to AD2000-Merkblatt A2 / DIN EN ISO 4126-1

Medium:

**Air** in m<sup>3</sup>/h at 0°C and 1013.25 mbar

**The capacity indicated below is for 10% pressure increase.**

d<sub>0</sub> - orifice

A<sub>0</sub> - flow area

Set pressure in bar (g)	GW	1/2			
	d <sub>0</sub> (mm)	6.0			
	A <sub>0</sub> (mm <sup>2</sup> )	28.3			
	Medium	<b>Air</b>			
Pressure range in bar	11.0 - 16.0	16.0 - 21.0	21.0 - 28.0	28.0 - 36.0	
11.0	23	-	-	-	
12.0	25	-	-	-	
13.0	27	-	-	-	
14.0	32	-	-	-	
15.0	30	-	-	-	
16.0	26	20	-	-	
17.0	-	34	-	-	
18.0	-	29	-	-	
19.0	-	24	-	-	
20.0	-	32	-	-	
21.0	-	30	30	-	
22.0	-	-	47	-	
23.0	-	-	40	-	
24.0	-	-	41	-	
25.0	-	-	50	-	
26.0	-	-	45	-	
27.0	-	-	66	-	
28.0	-	-	44	52	
29.0	-	-	-	46	
30.0	-	-	-	43	
31.0	-	-	-	49	
32.0	-	-	-	60	
33.0	-	-	-	57	
34.0	-	-	-	54	
35.0	-	-	-	74	
36.0	-	-	-	62	