

Overflow Valves

Type 06381



Cryogenic Safety Valves, angle type, stainless steel, PN40, not type tested

metal to metal seated, closed bonnet,

Inlet: male thread type G (BSPP) acc. to ISO 228/1

Outlet: female thread type G (BSPP) acc. to ISO 228/1

"cleaned and degreased for oxygen service"

Part No. 06381.X.9005 (0.5 up to 1.5 bar)

Part No. 06381.X.9003 (1.0 up to 4.0 bar)

Part No. 06381.X.9001 (3.0 up to 8.0 bar)

Part No. 06381.X.9002 (7.0 up to 17.0 bar)

Part No. 06381.X.9004 (16.0 up to 21.0 bar)

Part No. 06381.X.9007 (21.0 up to 28.0 bar)

Part No. 06381.X.9006 (28.0 up to 36.0 bar)

Available options - on request only:

· other spring ranges acc. to customer specification



Applications:

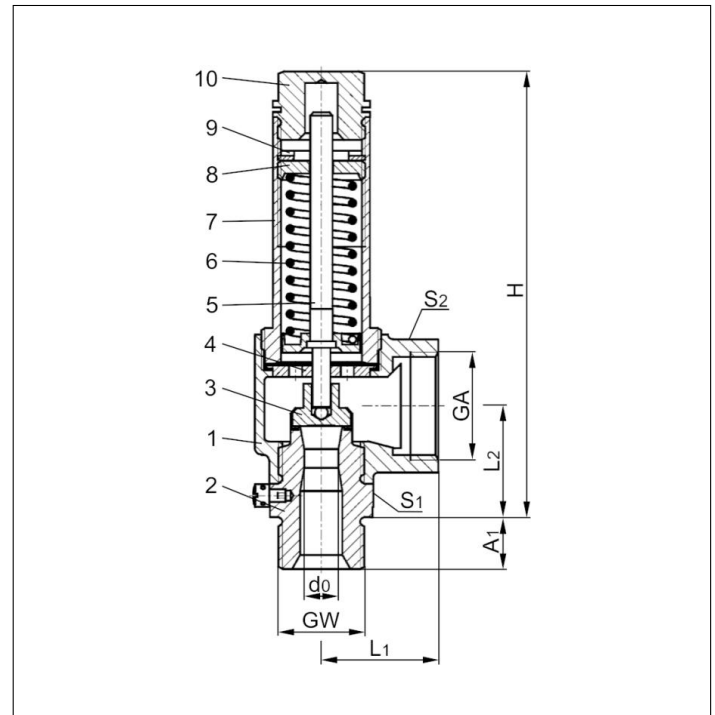
Provided as overflow valve for protection against excessive pressure in pipe systems and pressure vessels, which are not subject to approval.

Working temperature: -196°C / -321°F (77K) up to +185°C / +365°F (458K)

Materials	DIN EN	ASTM
1 Outlet body	1.4308	A 351 CF8
2 Inlet body	1.4301	A 276 Grade 304
3 Disc	1.4541	A 276 Grade 321
4 Guide plate	1.4301	A 276 Grade 304
5 Stem	1.4571	A 276 Grade 316Ti
6 Spring	1.4571	A 313 Grade 316Ti
7 Bonnet	1.4308	A 351 CF 8
8 Spring Clamp	1.4301	A 276 Grade 304
9 Adjusting screw	1.4571	A 276 Grade 316Ti
10 Cap	1.4301	A 276 Grade 304

Important: Adjusting ranges of springs are marked with a label on the bonnet.

Not to use as equipment with safety function acc. to Pressure Equipment Directive 2014/68/EU (PED) (No CE marking).



Type 06381	Technical data		
Nominal size	GW	1/2	3/4
Orifice	d ₀	10.5	10.5
Dimension code	.X.	1004	1006
Outlet	GA	1	1
Height	H	139	139
Length	L ₁	36	36
Length	L ₂	34	34
Length	A ₁	14	16
Wrench size across flats	S ₁	30	32
Wrench size across flats	S ₂	41	41
Weight	ca. kg	0.77	0.79

Overflow Valves

Type 06381



Discharge capacities

Calculation of flow rate acc. to AD2000-Merkblatt A2 / DIN EN ISO 4126-1

Medium:

Air in m³/h at 0°C and 1013.25 mbar

The capacity indicated below is for 10% pressure increase.

d₀ - orifice

A₀ - flow area

Set pressure in bar (g)	GW	1/2 & 3/4						
	d ₀ (mm)	10.5						
	A ₀ (mm ²)	86.6						
	Medium	Air						
Pressure range in bar	0.5 - 1.5	1.0 - 4.0	3.0 - 8.0	7.0 - 17.0	16.0 - 21.0	21.0 - 28.0	28.0 - 36.0	
0.5	8	-	-	-	-	-	-	
1.0	11	6	-	-	-	-	-	
1.5	14	9	-	-	-	-	-	
2.0	-	12	-	-	-	-	-	
3.0	-	21	10	-	-	-	-	
4.0	-	32	25	-	-	-	-	
5.0	-	-	48	-	-	-	-	
6.0	-	-	76	-	-	-	-	
7.0	-	-	107	82	-	-	-	
8.0	-	-	144	104	-	-	-	
9.0	-	-	-	128	-	-	-	
10.0	-	-	-	155	-	-	-	
11.0	-	-	-	177	-	-	-	
12.0	-	-	-	217	-	-	-	
13.0	-	-	-	248	-	-	-	
14.0	-	-	-	280	-	-	-	
15.0	-	-	-	319	-	-	-	
16.0	-	-	-	361	186	-	-	
17.0	-	-	-	409	220	-	-	
18.0	-	-	-	-	263	-	-	
19.0	-	-	-	-	304	-	-	
20.0	-	-	-	-	339	-	-	
21.0	-	-	-	-	383	227	-	
22.0	-	-	-	-	-	244	-	
24.0	-	-	-	-	-	278	-	
25.0	-	-	-	-	-	296	-	
26.0	-	-	-	-	-	314	-	
28.0	-	-	-	-	-	353	431	
30.0	-	-	-	-	-	-	461	
32.0	-	-	-	-	-	-	491	
34.0	-	-	-	-	-	-	521	
35.0	-	-	-	-	-	-	536	
36.0	-	-	-	-	-	-	583	

GW	1/2 & 3/4
Part No. spring	Pressure range of springs in bar
55345.0114.1767	0.5 - 1.5
55345.0263.0767	1.0 - 4.0
55345.0118.1767	3.0 - 8.0
55345.0119.1767	7.0 - 17.0
55345.0120.1767	16.0 - 21.0
55345.0233.0767	21.0 - 28.0
55345.0237.0767	28.0 - 36.0