

Changeover Valves

Type 06401 - Changeover Valve DN15



Cryogenic Changeover Valves, stainless steel, PN125

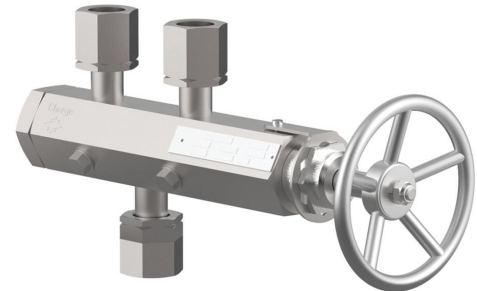
for the installation of two safety valves,
with two test connections G 1/4,
"cleaned and degreased for oxygen service"

Part No. 06401.0150.0000

In- and Outlet: locking sleeve G 3/4

Part No. 06401.0150.9***

*** Changeover valves with other threads for
vessel or safety valve connection on request



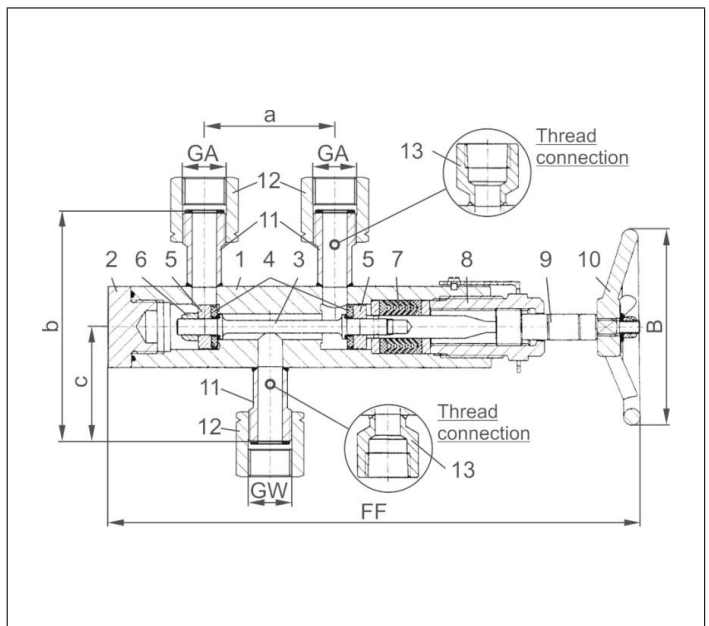
Available options - on request only:

- Changeover valves with pneumatic or electric actuator
- Inlet GW and/or outlet GA with female thread (G) acc. to ISO 228/1
- Inlet GW and/or outlet GA with female thread NPT acc. to ANSI B 1.20.1
- Combination of different thread connections GW - GA

Applications:

Approved for air gases, vapours and cryogenic liquefied gases incl. LNG.
Working temperature: -196°C / -321°F (77K) up to +185°C / +365°F (458K)

| Materials | DIN EN | ASTM |
|----------------------|----------------------------|-----------------------------------|
| 1 Body | 1.4571 | A 276 Grade 316Ti |
| 2 Plug | 1.4571 | A 276 Grade 316Ti |
| 3 Disc stem | 1.4571 | A 276 Grade 316Ti |
| 4 Valve seal | PTFE / Carbon filled (25%) | |
| 5 Disc | 1.4571 | A 276 Grade 316Ti |
| 6 Disc nut | 1.4301/A2 | A 194 B8 |
| 7 Gland packing | PTFE / Carbon filled (25%) | |
| 8 Head piece | CW452K nickel plated | B 159 UNS C51900 nickel plated |
| 9 Stem | 1.4571 | A 276 Grade 316Ti |
| 10 Handwheel | Aluminium alloy | |
| 11 Welding piece | 1.4571 | A 276 Grade 316Ti |
| 12 Locking sleeve | 1.4571 | A 276 Grade 316Ti |
| 13 Thread connection | 1.4571 | A 276 Grade 316Ti |



| Typ 06401 - Standard design | Technical data | |
|-------------------------------|-------------------|-------|
| Nominal size | DN | 15 |
| Inlet | GW | G 3/4 |
| Outlet | GA | G 3/4 |
| Face-to-face dimension | FF | 325 |
| Handwheel-Ø | B | 120 |
| Length | a | 80 |
| Height | b | 140 |
| Length | c | 70 |
| Weight | ca. kg | 5.0 |
| Kvs - Value, one side open | m ³ /h | 4.0 |
| Cv - Value, one side open | gal /min | 4.6 |
| Kvs - Value, central position | m ³ /h | 5.8 |
| Cv - Value, central position | gal /min | 6.7 |

Dimensions in mm.