

Changeover Valves

Type 06401 - Changeover Valve DN25



Cryogenic Changeover Valves, stainless steel, PN160

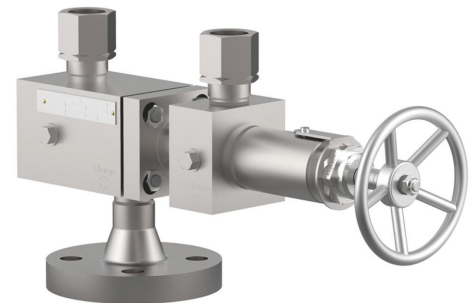
for the installation of two safety valves,
with two test connections G 1/4,
"cleaned and degreased for oxygen service"

Part No. 06401.0250.9018

Inlet Flange, DN 25, PN 160
Outlet: locking sleeve G1

Part No. 06401.0250.9***

*** Changeover valves with other flanges for vessel connection
and connection for safety valves on request



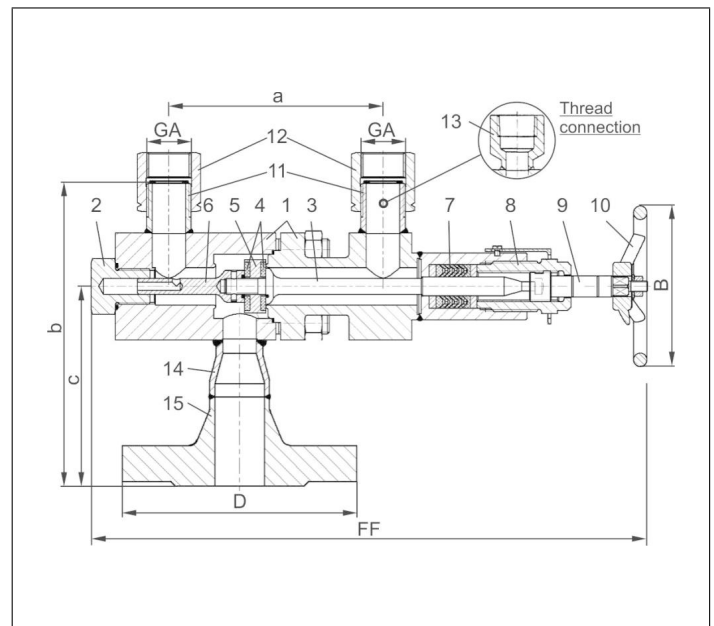
Available options - on request only:

- Changeover valves with pneumatic or electric actuator
- Outlet GA with female thread (G) acc. to ISO 228/1
- Outlet GA with female thread NPT acc. to ANSI B 1.20.1
- Outlet GA with flanged connections

Applications:

Approved for air gases, vapours and cryogenic liquefied gases incl. LNG.
Working temperature: -196°C / -321°F (77K) up to +185°C / +365°F (458K)

Materials	DIN EN	ASTM
1 Body	1.4571	A 276 Grade 316Ti
2 Plug	1.4571	A 276 Grade 316Ti
3 Disc stem	1.4571	A 276 Grade 316Ti
4 Valve seal	PCTFE	
5 Disc	1.4571	A 276 Grade 316Ti
6 Disc stem	1.4571	A 276 Grade 316Ti
7 Gland packing	PTFE / Carbon filled (25%)	
8 Head piece	CW452K nickel plated	B 159 UNS C51900 nickel plated
9 Stem	1.4571	A 276 Grade 316Ti
10 Handwheel	Aluminium alloy	
11 Welding piece	1.4571	A 276 Grade 316Ti
12 Locking sleeve	1.4571	A 276 Grade 316Ti
13 Thread connection	1.4571	A 276 Grade 316Ti
14 Adapter	1.4571	A 276 Grade 316Ti
15 Flange	1.4571	A 276 Grade 316Ti



Type 06401 - Standard design	Technical data	
Nominal size	DN	25
Flange diameter	D	140
Outlet	GA	G 1
Face-to-face dimension	FF	415
Handwheel-Ø	B	120
Length	a	160
Height	b	200
Length	c	125
Weight	ca. kg	14.1
Kvs - Value, one side open	m ³ /h	13.0
Cv - Value, one side open	gal /min	15.0
Kvs - Valve, central position	m ³ /h	15.5
Cv - Valve, central position	gal /min	17.9

Dimensions in mm.