

Safety Valves

Type 06417



Cryogenic Safety Valves, angle type, bronze, PN40, type tested TÜV-SV.780. S/G

Standard safety valve (0.2 - 25.0 bar)

Metal to metal seated, closed bonnet, with lifting device

"cleaned and degreased for oxygen service"

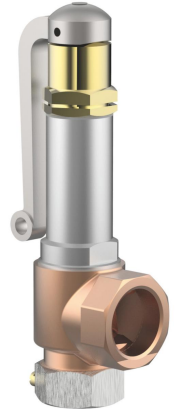
Part No. 06417.X.0000

Inlet: female thread type G (BSPP) acc. to ISO 228/1

Outlet: female thread type G (BSPP) acc. to ISO 228/1

Available options - on request only:

- external parts nickel plated
- with installed elbow at the outlet

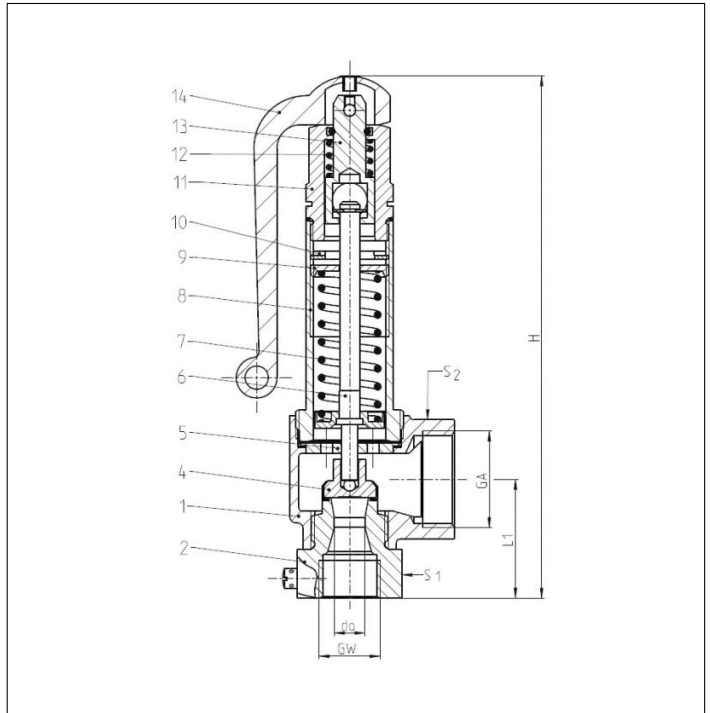


Applications:

Provided as safety device for protection against excessive pressure in stationary and moveable gas cylinders and pressure vessels. Approved for air gases, vapours and cryogenic liquefied gases incl. LNG.

Working temperature: -196°C / -321°F (77K) up to +185°C / +365°F (458K)

Materials	DIN EN	ASME/ASTM
1 Outlet body	CC491K	B 62 UNS C83600
2 Inlet body	1.4301	A 276 Grade 304
4 Disc	1.4541	A 276 Grade 321
5 Guide plate	CW453K	B 103 UNS C52100
6 Stem	CW453K	B 103 UNS C52100
7 Spring	1.4571	A 313 Grade 316Ti
8 Bonnet	1.4308	A 351 CF 8
9 Spring clamp	CW614N	B 283 UNS C38500
10 Thread ring	CW614N	B 283 UNS C38500
11 Lifting cap	CW614N	B 283 UNS C38500
12 Lifting spring	1.4571	A 276 Grade 316Ti
13 Lifting stem	CW614N	B 283 UNS C38500
14 Lever	1.4408	A 351 CF8M



Type 06417	Technical data	
Nominal size	GW	1/2
Orifice	d_0	10.5
Dimension code	.X.	1004
Set pressure range	bar	0.2-25.0
Outlet	GA	1
Height	H	180
Length	L_1	41
Wrench size across flats	S_1	30
Wrench size across flats	S_2	41
Weight	ca. kg	0.99
Coeff. of discharge from 3.0 bar	α_w	0.67

Dimensions in mm.

Safety Valves

Type 06417



Discharge capacities

Calculation of flow rate acc. to AD2000-Merkblatt A2 / DIN EN ISO 4126-1

Medium:

Air in m³/h at 0°C and 1013.25 mbar

The capacity indicated below is for a fully opened valve.

d_0 - orifice

A_0 - flow area

Set pressure in bar (g)	GW	1/2
	d_0 (mm)	10.5
	A_0 (mm ²)	86.6
	Medium	Air
0.2		25
0.5		48
1.0		75
1.5		100
2.0		124
3.0		171
4.0		214
5.0		259
6.0		302
7.0		346
8.0		391
9.0		434
10.0		479
12.0		567
14.0		655
16.0		742
18.0		830
20.0		927
22.0		1015
24.0		1104
25.0		1148
26.0		-
28.0		-
30.0		-
32.0		-
34.0		-
36.0		-
38.0		-
40.0		-