

# Changeover Valves

## Type 06530 - Diverter Valve



### Cryogenic Diverter Valves, stainless steel, PN50

for the installation of two safety valves,  
provided for bursting disc connections,  
"cleaned and degreased for oxygen service"

#### Part No. 06530.X.0000

Female thread connection (G) acc. to ISO 228/1

#### Part No. 06530.X.6\*\*\*

Female thread connection NPT acc. to ANSI B 1.20.1



Available Options - on request only:

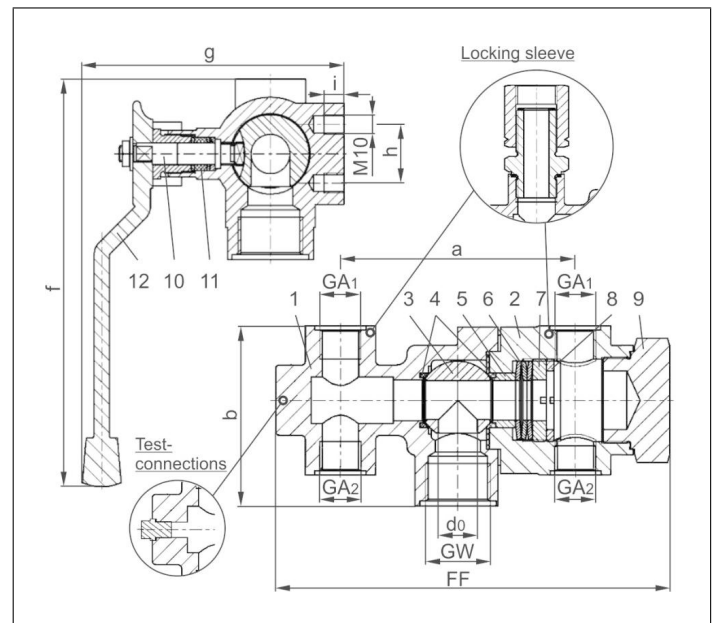
- Two extra test connections 1/4" edgeways
- Inlet: female thread (GW) 3/4"
- Outlet GA<sub>1</sub> with installed locking sleeve for easy positioning of safety valves
- Combination of different outlet threads GA<sub>1</sub> - GA<sub>2</sub>
- **Safety lock (Part No. 55394.0043.0765)**

### Applications:

Approved for air gases, vapours and cryogenic liquefied gases incl. LNG.

Working temperature: -196°C / -321°F (77K) up to +120°C / +248°F (393K)

| Materials        | DIN EN          | ASTM              |
|------------------|-----------------|-------------------|
| 1 Body I         | 1.4308          | A 351 CF8         |
| 2 Body II        | 1.4308          | A 351 CF8         |
| 3 Ball           | 1.4571          | A 276 Grade 316Ti |
| 4 Seat rings     | PCTFE           |                   |
| 5 Bush           | 1.4301          | A 276 Grade 304   |
| 6 Spring plates  | 1.4571          | A 313 Grade 316Ti |
| 7 Spring clamp   | 1.4571          | A 276 Grade 316Ti |
| 8 Thread ring    | 1.4571          | A 276 Grade 316Ti |
| 9 Plug           | 1.4408          | A 351 CF8M        |
| 10 Stem          | 1.4301          | A 276 Grade 304   |
| 11 Gland packing | Graphite / PTFE |                   |
| 12 Lever         | 1.4308          | A 351 CF8         |



| Type 06530 - Standard design | Technical Data    |      |      |
|------------------------------|-------------------|------|------|
| Nominal Size                 | DN                | 20   | 20   |
| Dimension code               | .X.               | 2004 | 2006 |
| Flow diameter                | d <sub>0</sub>    | 20   | 20   |
| Inlet                        | GW                | 1    | 1    |
| Outlet                       | GA <sub>1</sub>   | 1/2  | 3/4  |
| Outlet                       | GA <sub>2</sub>   | 1/2  | 1/2  |
| Face-to-face dimension       | FF                | 201  | 201  |
| Length                       | a                 | 120  | 120  |
| Height                       | b                 | 92   | 92   |
| Length                       | f                 | 208  | 208  |
| Length                       | g                 | 134  | 134  |
| Length                       | h                 | 30   | 30   |
| Thread depth                 | i                 | 10   | 10   |
| Weight                       | ca. kg            | 4.8  | 4.7  |
| Kvs - Value, one side open   | m <sup>3</sup> /h | 7.7  | 7.7  |
| Cv - Value, one side open    | gal /min          | 9.2  | 9.2  |

Dimensions in mm.

### Important:

The valves must be fixed at the provided threads M10.