

Safety Valves

Type 06810, Type 06815 - Sealing plate



Safety Valves, angle type, stainless steel, type tested, TÜV-SV.1130. S/G/L

Standard safety valve
with soft valve seal, "cleaned and degreased"
closed bonnet, gastight cap or lifting device
Inlet: male thread type G (BSPP) acc. to ISO 228/1
Outlet: female thread type G (BSPP) acc. to ISO 228/1

Part No. 06810.X.000001L (Pmax 150.0 bar)
with gastight cap

Part No. 06815.X.000001L (Pmax 150.0 bar)
with lifting device

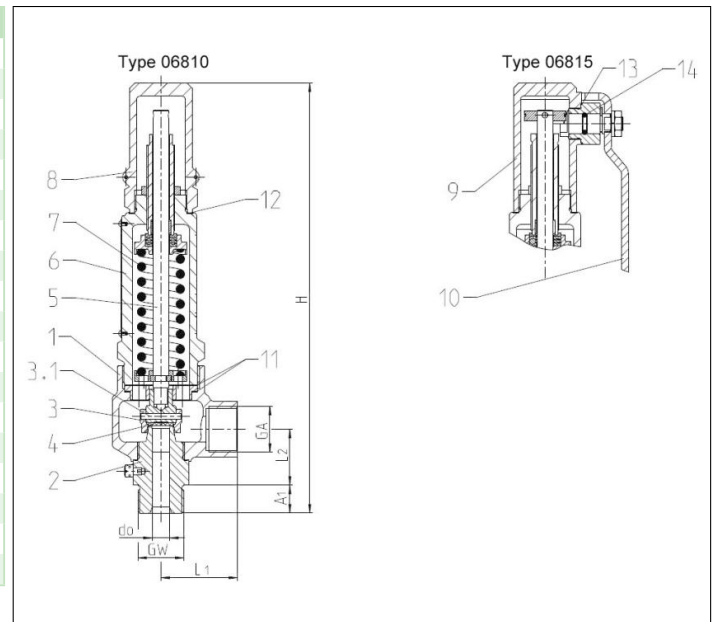
Available options - on request only:
· Flange-, NPT- or Tri-Clamp connection for in- and outlet



Applications:

Provided as safety device for protection against excessive pressure in gas cylinders and pressure vessels. Approved for gases, vapours and liquids. Working temperature: -270°C / -454°F (3K) up to +300°C / +572°F (573K)
Pressure-temperature must be observed, suitable for horizontal installation from 20 bar

Materials	DIN EN	ASME/ASTM
1 Outlet body	1.4408	A 351 CF8M
2 Inlet body	1.4571	A 276 Grade 316Ti
3 Disc	1.4571	A 276 Grade 316Ti
4 Sealing plate	VESPEL	
5 Stem	1.4404	A 276 Grade 316L
6 Bonnet	1.4408	A 351 CF8M
7 Spring	1.4571	A 313 Grade 316Ti
8 Cap	1.4408	A 351 CF8M
9 Lifting cap	1.4408	A 351 CF8M
10 Lever	1.4301	A 276 Grade 304
Spare Parts		
2 Inlet body	1.4571	316Ti
3.1 Split pin	1.4571	316Ti
4 Sealing plate	VESPEL	
11 Gasket	1.4404 Graphite	316L Graphite
12 Gasket	PTFE	
13 Gasket	PTFE	
14 O-ring	FPM (VITON)	



Type 06810, 06815	Technical Data			
D ₀	[mm]	10		
Inlet	GW	1/2	1/2	3/4
Outlet	GW	1/2	3/4	3/4
Dimension code	.X.	1022	1023	1033
Height	H	245.0	245.0	245.0
Length	L1	44.0	44.0	44.0
Length	L2	32.0	32.0	32.0
Length	A1	14.0	14.0	16.0
Weight 06810	ca. kg	1.8	1.8	1.8
Weight 06815	ca. kg	2.0	2.0	2.0
Coeff. of discharge	α_w S/G/L	0.50	0.50	0.50
Min. set pressure	bar-g	1.5	1.5	1.5
Max. set pressure	bar-g	150.0	150.0	150.0
Min. temperature	°C	-270	-270	-270
Max. temperature	°C	+300	+300	+300

Dimensions in mm.

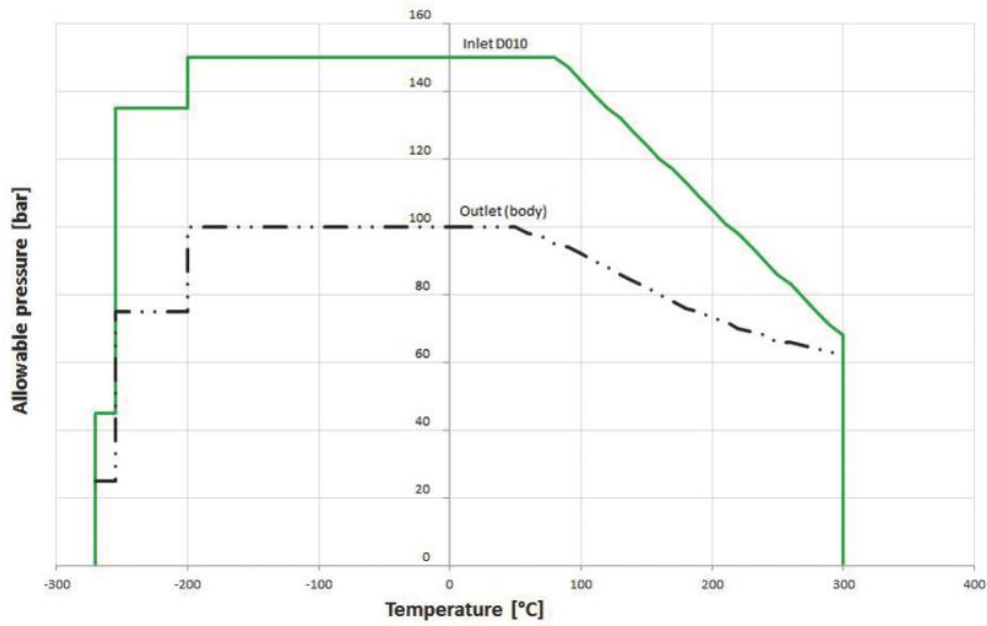
Safety Valves

Type 06810, Type 06815 - Sealing plate



Pressure-Temperature Rating

Maximum allowable set pressure safety valve type 0681X



Safety Valves

Type 06810, Type 06815 - Sealing plate



Discharge capacities

Calculation of flow rate acc. to AD2000-Merkblatt A2 / DIN EN ISO 4126-1

Medium:

A = Saturated steam in kg/h

B = Air in m³/h at 0°C and 1013,25 mbar

C = Water in kg/h at 20°C

The capacity indicated below is for a fully opened valve.

d_0 - orifice

A_0 - flow area

Set pressure in bar (g)	GW	1/2, 3/4 & 1		
	d_0 (mm)	10.0		
	A_0 (mm ²)	78.5		
	Medium	A	B	C
0.2	-	-	-	-
0.5	-	40	1549	
1.0	-	55	2097	
2.0	-	86	2966	
3.0	-	116	3632	
4.0	-	145	4194	
5.0	-	175	4689	
6.0	-	205	5137	
7.0	-	234	5548	
8.0	-	264	5931	
9.0	-	294	6291	
10.0	-	324	6631	
15.0	-	472	6947	
20.0	-	627	9378	
30.0	-	936	11485	
40.0	-	1249	13262	
50.0	-	1568	14828	
60.0	-	1890	16243	
65.0	-	2045	16906	
70.0	-	2216	-	
80.0	-	2546	-	
90.0	-	2878	-	
100.0	-	3212	-	
110.0	-	3544	-	
120.0	-	3877	-	
140.0	-	4549	-	
150.0	-	4872	-	