

Changeover Valves

Type 06901 - Bursting disc stainless steel



for Cryogenic Diverter Valves

burst pressure range: 4,0 bar (58.0 psi) - 52,0 bar (754.0 psi)

indicated burst pressure at burst temperature +20°C (68°F)

burst pressure tolerance: ± 10 %

"cleaned and degreased for oxygen service"

Part No. 06901.0400.00XX.XX

male thread G1/2 acc. to ISO 228/1

Part No. 06901.0400.50XX.XX

male thread 1/2" NPT acc. to ANSI B 1.20.1

XX.XX = Code for burst pressure

Example:

burst pressure **5,20** bar - 06901.0400.0005.20

burst pressure **46,00** bar - 06901.0400.0046.00

Calculation bar in psi: 1,0 bar = 14,503 psi (40,00 bar = 580,1 psi)

Available options - on request only:

- other thread sizes
- other burst pressures

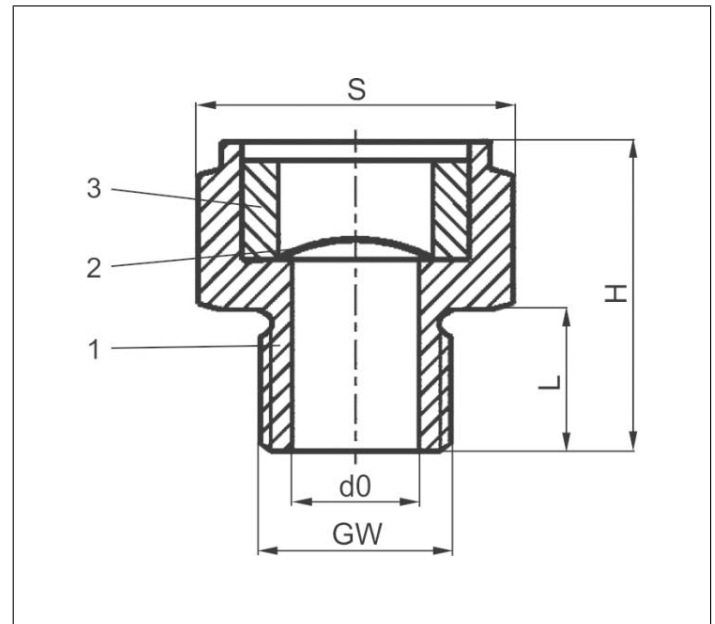
Working temperature: -196°C (77K) up to +65°C (338K)



Materials	DIN EN	ASTM
1 Body	1.4404	A 276 Grade 316L
2 Burst disc	2.4068	NI 201
3 Ring	1.4404	A 276 Grade 316L

Part No. (G-thread)	Standard-burst pressures
06901.0400.0005.20	5.2 bar / 75.4 psi
06901.0400.0007.00	7.0 bar / 101.5 psi
06901.0400.0008.10	8.1 bar / 117.4 psi
06901.0400.0010.00	10.0 bar / 145.0 psi
06901.0400.0015.00	15.0 bar / 217.5 psi
06901.0400.0018.00	18.0 bar / 261.0 psi
06901.0400.0020.20	20.2 bar / 292.9 psi
06901.0400.0020.57	20.57 bar / 298.34 psi
06901.0400.0022.00	22.0 bar / 319.0 psi
06901.0400.0024.00	24.0 bar / 348.0 psi
06901.0400.0027.00	27.0 bar / 391.5 psi
06901.0400.0043.56	43.56 bar / 631.78 psi

Part No. (NPT-thread)	Standard-burst pressures
06901.0400.5027.00	27.0 bar / 391.5 psi



Type 06901	Technical data	
Nominal size	GW	1/2
Height G-Thread	H	34,0
Height NPT-Thread	H	38,5
Length G-Thread	L	15,5
Length NPT-Thread	L	20,0
Orifice	d ₀	13,0
Wrench size a/f up to 8,0 bar	S	46
Wrench size a/f from 8,01 bar	S	30
Weight	ca. kg	0,1
Kvs-Value	m ³ /h	11,0
Cv-Value	gal/min	13,1

Dimensions in mm.