

# Fill Cluster

## Type 07016 - Fill cluster with check function



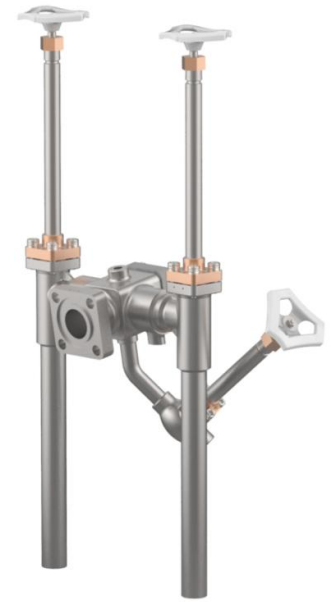
### Cryogenic-Fill cluster, PN50

Stainless steel body and bronze topwork  
with check function and drain valve  
"live loaded" gland packing  
"cleaned and degreased for oxygen service"

### Part No. 07016.X.5000

Fill connection: Mueller flange  
Outlet: welded stainless steel stubs acc. to ASTM A312  
Non-return unit metal to metal seated, leakage rate D acc. to EN12266-1

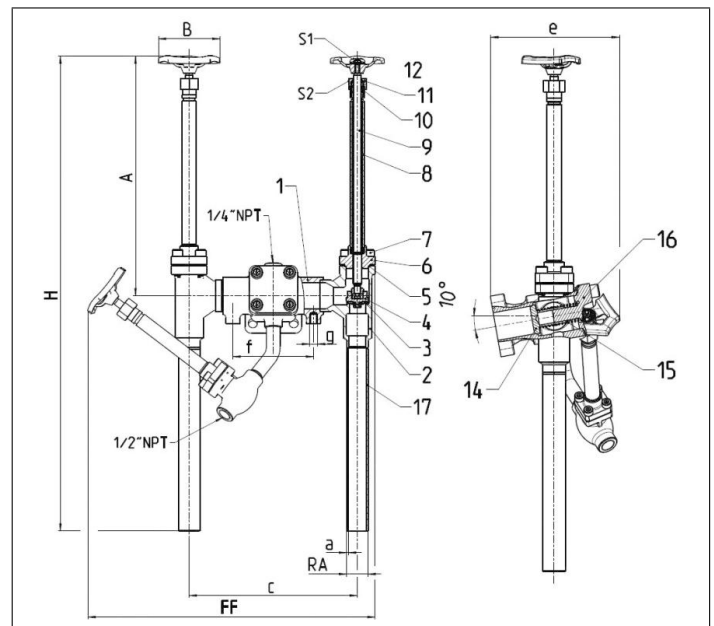
Available options - on request only:  
· with strainer



### Applications:

Approved for air gases, vapours and cryogenic liquefied gases incl. LNG.  
Working temperature: -196°C / -321°F (77K) up to +120°C / +248°F (393K)

Materials	DIN EN	ASTM
1 Fill body	1.4308	A 351 CF8
2 Body	1.4308	A 351 CF8
3 Valve seal	PTFE / Carbon filled (25%)	
4 Disc	CW614N	B 283 UNS C38500
5 Bonnet gasket	PTFE	
6 Headpiece	CC493K	B 505 UNS C93200
7 Bolts	1.4301/A2	A 194 B8
8 Elongation tube	1.4541	A 213 TP 321
9 Stem	1.4301	A 276 Grade 304
10 Gland packing	Graphite / PTFE	
11 Gland nut	CW614N	B 283 UNS C38500
12 Handwheel	Aluminium alloy	
14 Check disc	CW452K	B 159 UNS C51900
15 Spring	1.4571	A 313 Grade 316Ti
16 Cap	CC493K	B 505 UNS C93200
17 Pipe	1.4306	A 312 TP 304L



Type 07016 - Standard design	Technical data		
<b>Nominal size</b>	<b>DN</b>	<b>25</b>	<b>40</b>
Dimension code	.X.	2533	4048
Face-to-face dimension	FF	225	225
Outside pipe-Ø ASTM A312	RA	33.7	48.3
Wall thickness pipe ASTM A312	a	dimensions acc. to S10 or S40	
Socket depth	b	13	13
Height	A	370	370
Height	H	735	735
Length	c	295	301
Length	e	76	76
Length	f	125	125
Length	g	M12, 11mm deep	M12, 13mm deep
Handwheel-Ø	B	100	125
Wrench size across flats	S <sub>1</sub>	7	10
Wrench size across flats	S <sub>2</sub>	30	36
Weight	ca. kg	11.5	14.9

Dimensions in mm.