

Strainers

Type 08411 - Strainer



Cryogenic-Strainer, PN50

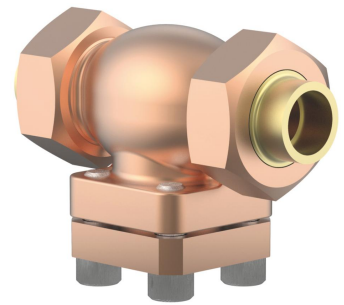
Bronze body and cap
with strainer screen mesh size 0.25 mm
"cleaned and degreased for oxygen service"

Part No. 08411.X.0008

Completed with union type braze fittings for copper pipes acc. to DIN EN 12449 or ASTM B88

Available options - on request only:

- other mesh sizes for strainer screen (changed flow coefficient)
- strainer screen in bronze or monel
- sintered filter in bronze or stainless steel in various porosities

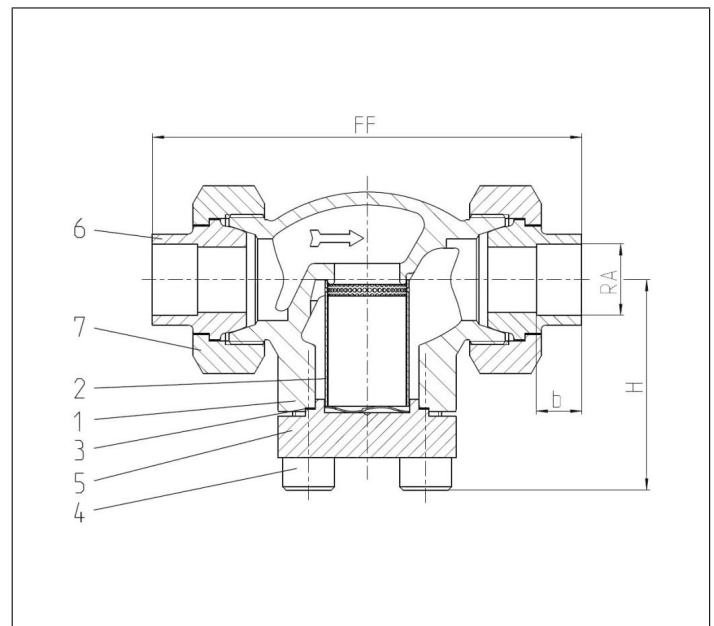


Applications:

Approved for air gases, vapours and cryogenic liquefied gases incl. LNG.

Working temperature: -196°C / -321°F (77K) up to +120°C / +248°F (393K)

Materials	DIN EN	ASTM
1 Body	CC491K	B 62 UNS C83600
2 Strainer screen	1.4301	A 240 Grade 304
3 Bonnet gasket	PTFE	
4 Bolts	1.4301/A2	A 194 B8
5 Cap	CC493K	B 505 UNS C93200
6 Braze fitting	CC493K	B 505 UNS C93200
7 Union nut	CC493K	B 505 UNS C93200



Type 08411 - Standard design	Technical data								
Nominal size	DN	10	10	15	20	25	32	40	50
Dimension code	.X.	1012	1015	1518	2022	2528	3235	4042	5054
Face-to-face dimension	FF	98	98	132	132	171	171	230	230
Height	H	62	62	62	65	69	76	89	89
Outside pipe-Ø	RA	12.0	15.0	18.0	22.0	28.0	35.0	42.0	54.0
Socket depth	b	11	11	14	14	17	17	17	17
Weight	ca. kg	0.6	0.6	0.8	0.9	1.2	1.8	3.1	4.7
Kvs - Value	m ³ /h	1.5	1.5	3.4	6.5	9.5	14.0	21.0	28.0
Cv - Value	gal/min	1.7	1.7	3.9	7.5	11.0	16.2	24.3	32.4

Dimensions in mm.