

Strainers

Type 08411 - Strainer



Cryogenic-Strainer, PN50

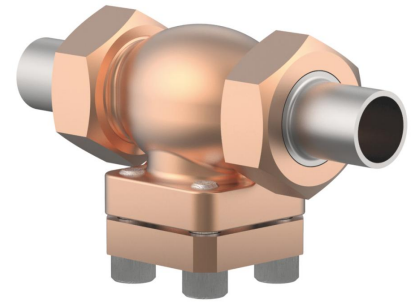
Bronze body and cap
with strainer screen mesh size 0.25 mm
"cleaned and degreased for oxygen service"

Part No. 08411.X.0007

Completed with union type butt weld fittings for stainless steel pipes
acc. to ISO 1127 or ASTM A312

Available options - on request only:

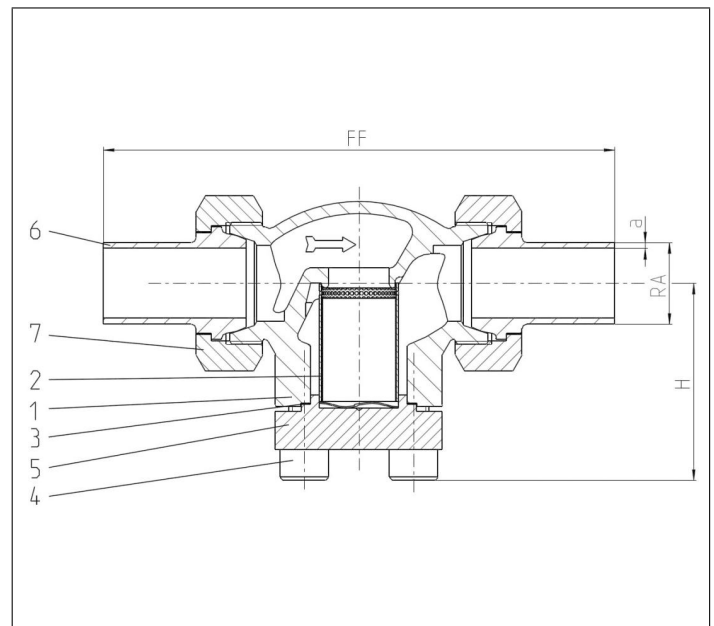
- other mesh sizes for strainer screen (changed flow coefficient)
- strainer screen in bronze or monel
- sintered filter in bronze or stainless steel in various porosities
- Further pipe wall thicknesses



Applications:

Approved for air gases, vapours and cryogenic liquefied gases incl. LNG.
Working temperature: -196°C / -321°F (77K) up to +120°C / +248°F (393K)

Materials	DIN EN	ASTM
1 Body	CC491K	B 62 UNS C83600
2 Strainer screen	1.4301	A 240 Grade 304
3 Bonnet gasket	PTFE	
4 Bolts	1.4301/A2	A 194 B8
5 Cap	CC493K	B 505 UNS C93200
6 Weld fitting	1.4301	A 276 Grade 304
7 Union nut	CC493K	B 505 UNS C93200



Type 08411 - Standard design	Technical data									
Nominal size	DN	10	10	20	20	32	32	40	50	
Dimension code	.X.	1012	1017	1521	2027	2533	3242	4048	5060	
Face-to-face dimension	FF	137	141	168	168	203	203	230	263	
Outside pipe-Ø ISO 1127	RA	12.0	17.2	21.3	26.9	33.7	42.4	48.3	60.3	
Wall thickness pipe ISO 1127	a	1.0	2.3	2.6	2.0	3.2	2.0	3.6	3.6	
Outside pipe-Ø ASTM A312	RA	-	17.15	21.34	26.67	33.40	42.16	48.26	60.33	
Wall thickness pipe ASTM A312	a	dimensions acc. to S10 or S40								
Height	H	62	62	62	65	69	76	89	89	
Weight	ca. kg	0.6	0.6	0.8	0.9	1.2	1.8	3.1	4.7	
Kvs - Value	m ³ /h	1.6	2.2	6.7	6.7	12.1	12.1	22.6	37.1	
Cv - Value	gal/min	1.9	2.6	7.8	7.8	14.1	14.1	26.3	43.2	

Dimensions in mm.