

Strainers

Type 08417 - Strainer



Cryogenic-Strainer, PN25

Stainless steel body and cap
with strainer screen mesh size 0.25 mm

Part No. 08417.0219.0004

Socket weld connection for stainless steel pipes acc. to ISO 1127 or ASTM A312

Available options - on request only

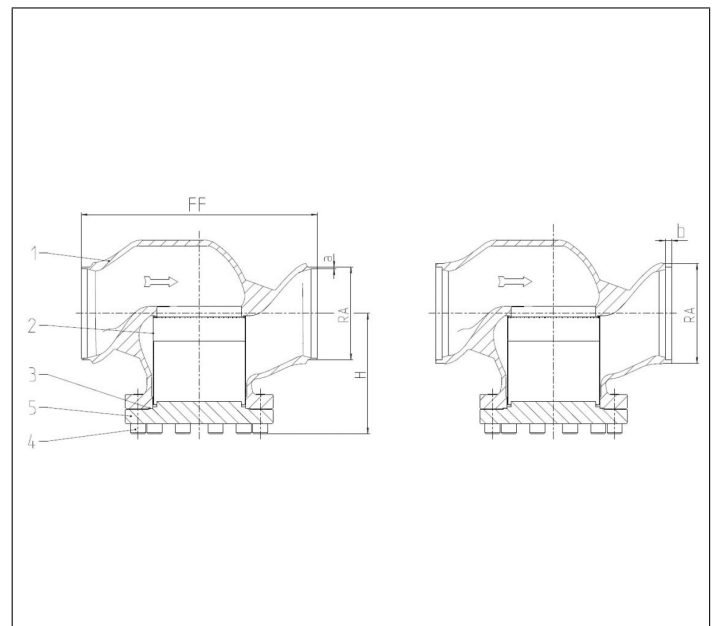


Applications:

Approved for air gases, vapours and cryogenic liquefied gases incl. LNG.

Working temperature: -196°C / -321°F (77K) up to +120°C / +248°F (393K)

| Materials | DIN EN | ASTM |
|-------------------|-----------|-----------------|
| 1 Body | 1.4308 | A 351 CF8 |
| 2 Strainer screen | 1.4301 | A 240 Grade 304 |
| 3 Bonnet gasket | PTFE | |
| 4 Bolts | 1.4301/A2 | A 194 B8 |
| 5 Cap | 1.4301 | A 276 Grade 304 |



| Type 08417 - Standard design | Technical data | |
|-------------------------------|-------------------|-------------------------------|
| Nominal size | DN | 200 |
| Dimension code | .X. | 0219 |
| Face-to-face dimension | FF | 560 |
| Height | H | 285 |
| Outside pipe-Ø ISO 1127 | RA | 219.1 |
| Wall thickness pipe ISO 1127 | a | 6.3 |
| Outside pipe-Ø ASTM A312 | RA | 219.1 |
| Wall thickness pipe ASTM A312 | a | dimensions acc. to S10 or S40 |
| Socket depth | b | 15 |
| Weight | ca. kg | 100 |
| Kvs-Value | m ³ /h | 468 |
| Cv-Value | gal/min | 541.1 |

Dimensions in mm.