

# Spare Parts for Valves and Fill Cluster

## Type 11C01 - Globe Valve FullX



**Sealing spare part kit – without bellow & bellow top position**  
 "cleaned and degreased for oxygen service"

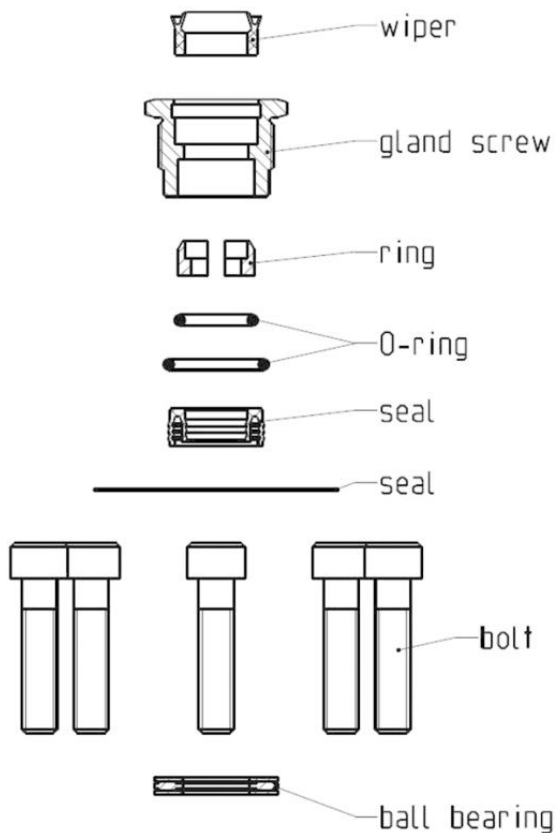
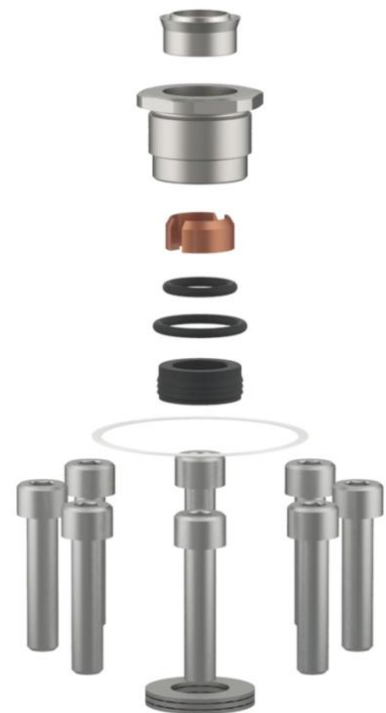
consisting of:

- 1x wiper PEEK
- 1x gland bold 1.4404
- 1x stem ring CW452K
- 2x O-ring FPM
- 1x gasket PTFE / 25% Carbon filled
- 6x bonnet gasket PTFE
- 6x or 8x bolt A4
- 1x ball bearing 1.4125

**Part No. 11C01.00XX.E00101**

**suitable for:**

Type	Nominal size
11C01.0000.E00101	DN10 - DN25
11C01.0032.E00101	DN32
11C01.0040.E00101	DN40
11C01.0050.E00101	DN50



Type 11C01	Technical data								
Nominal size	DN	10	15	20	25	32	40	50	
Dimension code	.X.	0000	0000	0000	0000	0032	0040	0050	
Weight	ca. kg	0.14	0.14	0.14	0.14	0.24	0.24	0.28	

Dimensions in mm.