

# Actuated Valves and Actuators

## Type 27511 - Pneumatic Actuator - Globe Valve (on/off)



### Pneumatic Actuators for Globe Valves (on/off)

Actuator - air to open, **spring to close**

maximum air pressure for operation 6.0 bar g

Actuator coating outside - Epoxy resin

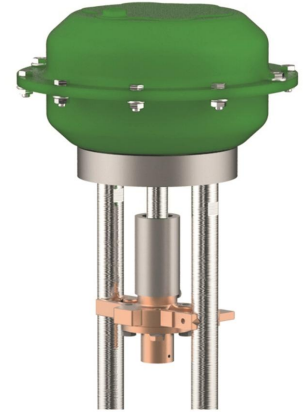
Available options - on request only:

- Pneumatic actuator with override handwheel

**Ambient temperature limit:** -20°C / -4°F (253K) up to +80°C / 176°F (353K)

### Overview - required actuator sizes for differential pressures

DN	Differential pressure in bar														
	1.0	3.1	4.1	7.1	10.1	11.1	15.1	18.1	20.1	22.1	30.1	33.1	35.1		
	3.0	4.0	7.0	10.0	11.0	15.0	18.0	20.0	22.0	30.0	33.0	35.0	50.0		
10	A	A	A	A	A	A	A	A	A	A	A	A	A		
15	A	A	A	A	A	A	A	A	A	A	A	A	A		
20	A	A	A	A	A	A	A	A	A	A	B	B	B		
25	A	A	A	A	A	A	A	A	B	B	B	B	B		
32	A	A	A	A	A	B	B	B	B	B	B	B	C		
40	B	B	B	B	B	B	B	B	C	C	C	C	C		
50	B	B	B	B	B	B	C	C	C	C	C	C	D		
65	B	B	B	C	C	C	C	D	E	E	E	F	F		
80	B	B	C	C	D	E	E	E	E	F	F	F	G		
100	B	C	D	E	E	F	F	F	F	G	o.r. - on request				
150	D	E	F	G	o.r. - on request										

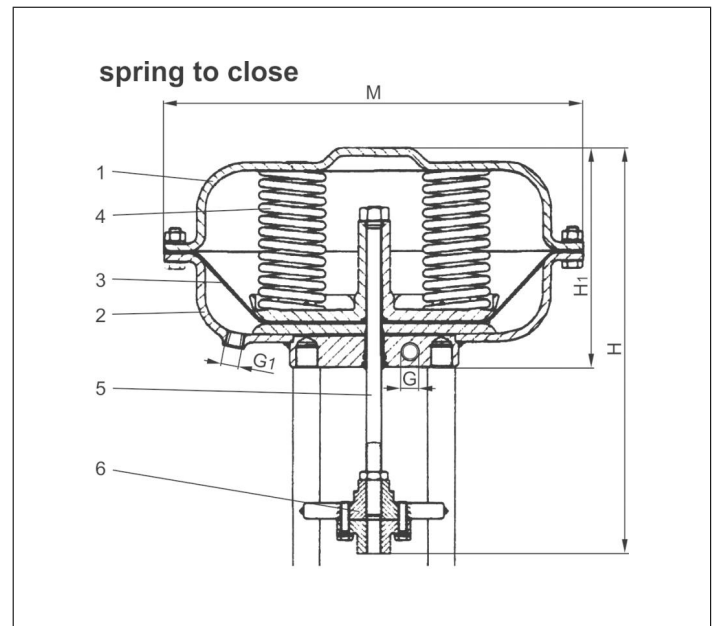


The differential pressures are based on the flow direction of the valve.

Differential pressures against the flow direction have to be requested separately.

Code in Table	Part No.	Actuator
A	27511.15A6.3SPO	
B	27511.35B6.6GPO	
C	27511.60A6.6GPO	
D	27511.60C6.7GPO	
E	27511.75B6.3DPO	
F	27511.75B6.5DPO	
G	27511.75B6.7DPO	

Materials	DIN EN	ASTM
1 Body	1.0333	A 619 Grade 1008
2 Body	1.0333	A 619 Grade 1008
3 Diaphragm	NBR	
4 Springs	1.1200	A 576 Grade 1045
5 Actuator stem	1.4301	A 276 Grade 304
6 Coupling	CC333G	B 148 UNS C95800



Type 27511		Technical data						
Part No.	Actuator	27511						
		.15A6.3SPO	.35B6.6GPO	.60A6.6GPO	.60C6.7GPO	.75B6.3DPO	.75B6.5DPO	.75B6.7DPO
Diameter Actuator	M	162	210	310	310	430	430	430
Height	H	256	276	309	352	353	353	353
Height	H1	116	136	166	186	234	234	234
Thread	G	G1/8" with Ermeto-Fitting L8						
Thread	G1	-	1/4" NPT	1/4" NPT	1/4" NPT	1/4" NPT	1/4" NPT	1/4" NPT
Diaphragm area	cm <sup>2</sup>	120	280	530	530	1000	1000	1000
Spring range	bar	0.9 - 2.0	0.8 - 3.0	0.8 - 2.8	0.7 - 3.0	0.7 - 2.1	1.2 - 3.4	1.6 - 4.7
Minimum air pressure	bar	2.2	3.2	3.0	3.2	2.3	3.6	4.9
Regulating lift	mm	20	35	40	60	60	60	60
Weight	ca. kg	3.0	5.0	12.5	14.0	37.0	39.0	41.0

Dimensions in mm.