

Actuated Valves and Actuators

Type 27512 - Pneumatic Actuator - Globe Valve (on/off)



Pneumatic Actuators for Globe Valves (on/off)

Actuator - **spring to open**, air to close

maximum air pressure for operation 6.0 bar g

Actuator coating outside - Epoxy resin

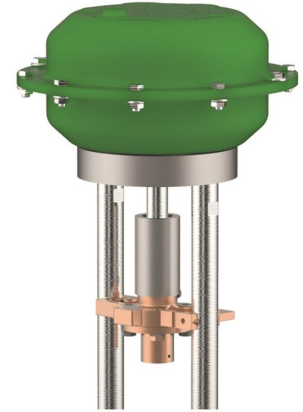
Available options - on request only:

- Pneumatic actuator with override handwheel

Ambient temperature limit: -20°C / -4°F (253K) up to +80°C / 176°F (353K)

Overview - required actuator sizes for differential pressures

DN	Differential pressure in bar											
	1.0	5.1	7.1	14.1	17.1	19.1	22.1	26.1	29.1	35.1	37.1	45.1
	5.0	7.0	14.0	17.0	19.0	22.0	26.0	29.0	35.0	37.0	45.0	50.0
10	A	A	A	A	A	A	A	A	A	A	A	A
15	A	A	A	A	A	A	A	A	A	A	A	A
20	A	A	A	A	A	A	A	A	A	A	A	A
25	A	A	A	A	A	A	A	A	A	A	A	A
32	A	A	A	A	A	A	A	A	A	B	C	C
40	A	A	A	A	A	A	A	B	C	C	C	C
50	A	A	A	A	B	C	C	C	C	C	C	C
65	B	B	B	C	C	C	C	C	C	C	D	E
80	B	B	C	C	C	C	D	E	E	E	E	E
100	B	C	C	D	E	E	E	E	E	E	E	E
150	D	E	E	E	E	E	o.r. - on request					

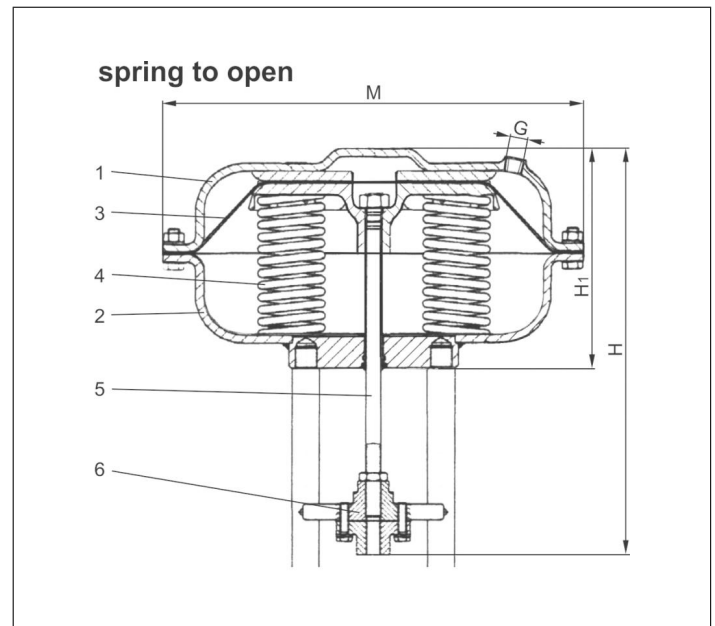


The differential pressures are based on the flow direction of the valve.

Differential pressures against the flow direction have to be requested separately.

Code in Table	Part No.	Actuator
A	27512.15A6.3SPS	
B	27512.35B6.6GPS	
C	27512.60A6.6GPS	
D	27512.60C6.7GPS	
E	27512.75B6.2SPS	

Materials	DIN EN	ASTM
1 Body	1.0333	A 619 Grade 1008
2 Body	1.0333	A 619 Grade 1008
3 Diaphragm	NBR	
4 Springs	1.1200	A 576 Grade 1045
5 Actuator stem	1.4301	A 276 Grade 304
6 Coupling	CC333G	B 148 UNS C95800



Type 27512		Technical data				
Part No. Actuator		27512				
		.15A6.3SPS	.35B6.6GPS	.60A6.6GPS	.60C6.7GPS	.75B6.2SPS
Diameter Actuator	M	162	210	310	310	430
Height	H	256	276	309	352	353
Height	H1	116	136	166	186	234
Thread	G	1/4" NPT	1/4" NPT	1/4" NPT	1/4" NPT	1/4" NPT
Diaphragm area	cm ²	120	280	530	530	1000
Spring range	bar	0.9 - 2.0	0.8 - 3.0	0.8 - 2.8	0.7 - 3.0	0.3 - 0.9
Minimum air pressure	bar	6.0	6.0	6.0	6.0	6.0
Regulating lift	mm	20	35	40	60	60
Weight	ca. kg	3.0	5.0	12.5	14.0	37.0

Dimensions in mm.