

Actuated Valves and Actuators

Type 27512 - Pneumatic Actuator - Control Valve



Pneumatic Actuators for Control Valves

Actuator - **spring to open**, air to close

maximum air pressure for operation 6.0 bar g

Actuator coating outside - Epoxy resin

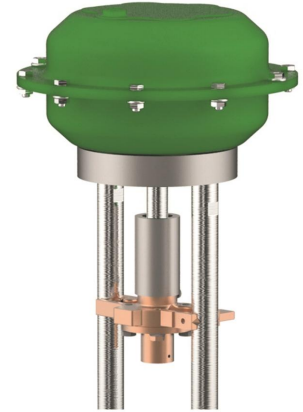
Available options - on request only:

- Pneumatic actuator with override handwheel

Ambient temperature limit: -20°C / -4°F (253K) up to +80°C / 176°F (353K)

Overview - required actuator sizes for differential pressures

DN	Differential pressure in bar									
	1.0	5.1	13.1	15.1	21.1	23.1	29.1	34.1	37.1	
	5.0	13.0	15.0	21.0	23.0	29.0	34.0	37.0	50.0	
10	A	A	A	A	A	A	A	A	A	A
15	A	A	A	A	A	A	A	A	A	A
20	A	A	A	A	A	A	A	A	A	A
25	A	A	A	A	A	A	A	A	A	A
32	B	B	B	B	B	B	B	B	C	C
40	B	B	B	B	B	B	B	C	C	C
50	B	B	B	B	C	C	C	C	C	C
65	C	C	C	C	C	C	C	E	E	E
80	C	C	C	C	D	E	E	E	E	E
100	C	C	D	E	E	E	E	E	E	E
150	D	E	E	E	E	o.r. - on request				

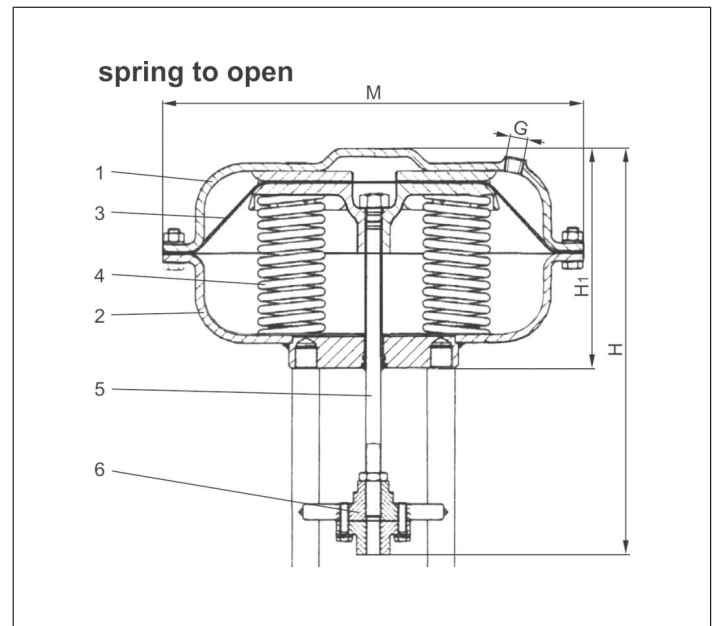


The differential pressures are based on the flow direction of the valve.

Differential pressures against the flow direction have to be requested separately.

Code in Table	Part No.	Actuator
A	27512.15A6.3SPS	
B	27512.35B6.6GPS	
C	27512.60A6.6GPS	
D	27512.60C6.7GPS	
E	27512.75B6.2SPS	

Materials	DIN EN	ASTM
1 Body	1.0333	A 619 Grade 1008
2 Body	1.0333	A 619 Grade 1008
3 Diaphragm	NBR	
4 Springs	1.1200	A 576 Grade 1045
5 Actuator stem	1.4301	A 276 Grade 304
6 Coupling	CC333G	B 148 UNS C95800



Type 27512		Technical data				
Part No. Actuator		27512				
		.15A6.3SPS	.35B6.6GPS	.60A6.6GPS	.60C6.7GPS	.75B6.2SPS
Diameter Actuator	M	162	210	310	310	430
Height	H	256	276	309	352	353
Height	H1	116	136	166	186	234
Thread	G	1/4" NPT	1/4" NPT	1/4" NPT	1/4" NPT	1/4" NPT
Diaphragm area	cm ²	120	280	530	530	1000
Spring range	bar	0.9 - 2.0	0.8 - 3.0	0.8 - 2.8	0.7 - 3.0	0.3 - 0.9
Minimum air pressure*	bar	6.0	6.0	6.0	6.0	6.0
Regulating lift	mm	20	35	40	60	60
Weight	ca. kg	3.0	5.0	12.5	14.0	37.0

Dimensions in mm. * for maximum differential pressure