

Actuated Valves and Actuators

Type 27514 - Pneumatic Actuator - Globe Valve (on/off)



Pneumatic Actuators for Globe Valves (on/off) including emergency handwheel

Actuator - **spring to close**, air to open

maximum air pressure for operation 6.0 bar (Tripel - Actuator: maximum air pressure 5 bar)

Actuator coating: Delta Seal GZ (silver-grey)

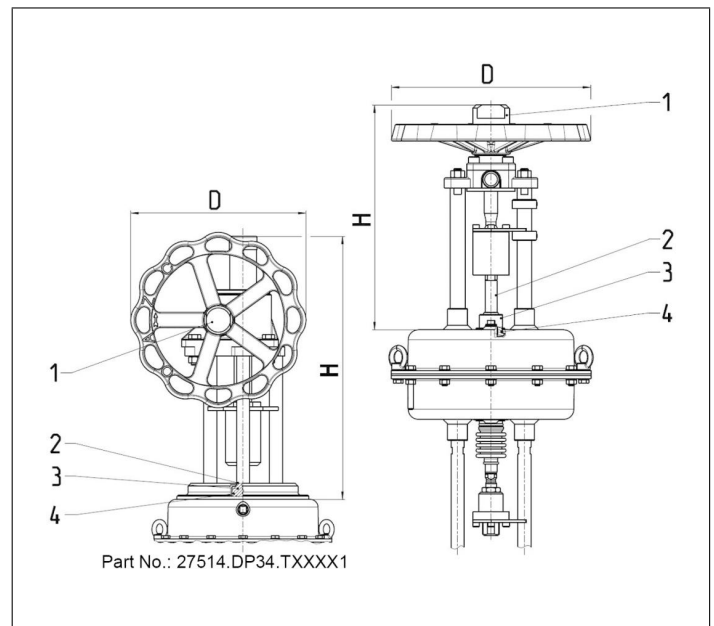
Corrosion-protection class C5-M acc. to DIN EN ISO 12944

Part No. 27514.DP3X.XXXXXX

Please find the differential pressure table and the permissible ambient temperatures listed in the standard data sheet



Materials	DIN EN	ASTM
1 Cap	1.4571	A 276 Grade 316Ti
2 Stem extension	1.4571	A 276 Grade 316Ti
3 Stem guide	1.4571	A 276 Grade 316Ti
4 O-ring	NBR	



Type 27514 Part No. Actuator	Technical Data										
	27514.DP3X.XXXXXX										
Dimension code	*X.XXX XXX	0.2O2 2H1	2.2O0 8H1	2.2O2 0H1	3.3O2 0H1	4.5O1 5H1	4.5O2 0H1	4.T0P 1H1	4.T0P 0H1	4.TRP 1H1	4.TRP 0H1
Diameter Handwheel	D	225	225	225	300	397	397	400	400	400	400
Height	H	284	284	284	297	458	458	613	613	613	613
Weight	ca. kg	10.0	14.0	14.0	20.0	62.0	62.0	157.0	157.0	191.0	191.0

Dimensions in mm.