

Actuated Valves and Actuators

Type 27514 - Pneumatic Actuator - Control Valve



Pneumatic Actuators for Control Valves

Actuator - **spring to close**, air to open

maximum air pressure for operation 6.0 bar (Triplet - Actuator: maximum air pressure 5 bar)

Actuator coating: Delta Seal GZ (silver-grey)

Corrosion-protection class C5-M acc. to DIN EN ISO 12944

Available options - on request only:

- Pneumatic actuator with override handwheel

Ambient temperature limit: -40°C / -40°F (233K) up to +100°C / 212°F (373K)



Overview - required actuator sizes for differential pressures

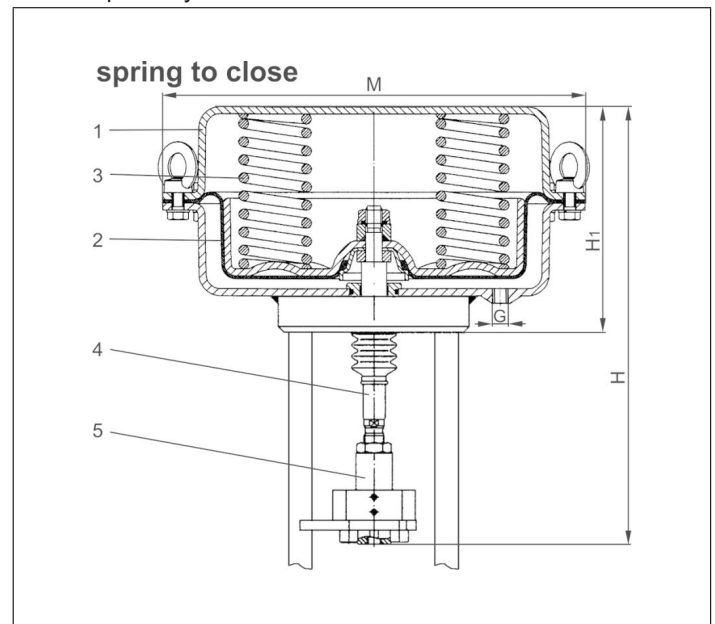
DN	Differential pressure in bar									
	1.0	6.1	10.1	14.1	17.1	25.1	28.1	35.1	40.1	46.1
	-	-	-	-	-	-	-	-	-	-
	6.0	10.0	14.0	17.0	25.0	28.0	35.0	40.0	46.0	50.0
10	A	A	A	A	A	A	A	A	A	A
15	A	A	A	A	A	A	A	A	A	A
20	A	A	A	A	A	A	A	B	B	C
25	A	A	A	A	A	B	C	C	C	C
32	D	D	D	D	D	D	D	D	D	D
40	D	D	D	D	D	D	D	D	D	D
50	D	D	D	D	D	D	D	D	D	D
65	E	E	E	E	E	E	E	E	F	F
80	E	E	E	E	E	F	F	o.r.	o.r.	o.r.
100	E	E	E	E	F	G	G	G	G	o.r.
150	E	F	G	H	H	o.r. - on request				

The differential pressures are based on the flow direction of the valve.

Differential pressures against the flow direction have to be requested separately.

Code in Table	Part No. Actuator
A	27514.DP30.2O22
B	27514.DP32.2O08
C	27514.DP32.2O20
D	27514.DP33.3O20
E	27514.DP34.5O15
F	27514.DP34.5O20
G	27514.DP34.TOPO (Tandem - Actuator)
H	27514.DP34.TRPO (Triple - Actuator)

Materials	DIN EN	ASTM
1 Body	1.0335	A 622 Grade 1008
2 Diaphragm	NBR + tissue	
3 Springs	1.4310	A 313 Grade 301
4 Actuator stem	1.4571	A 276 Grade 316Ti
5 Coupling	1.4571	A 276 Grade 316Ti



Type 27514 Part No. Actuator	Technical Data									
	27514									
	.DP30.2O22	.DP32.2O08	.DP32.2O20	.DP33.3O20	.DP34.5O15	.DP34.5O20	.DP34.TOPO (Tandem)	.DP34.TRPO (Triple)		
Diameter Actuator	M	168	250	250	300	405	405	405	405	405
Height	H	ca. 244	ca. 240	ca. 240	ca. 300	ca. 375	ca. 375	ca. 635	ca. 884	
Height	H1	122	124	124	166	228	228	450	672	
Thread	G	G 1/4"	G 1/4"	G 1/4"	G 1/4"	G 3/8"	G 3/8"	G 3/8"	G 1/2"	
Diaphragm area	cm ²	80	250	250	400	800	800	1600 (2x800)	2400 (3x800)	
Spring range	bar	2.2 - 4.5	0.8 - 2.4	2.0 - 3.8	2.0 - 4.0	1.5 - 3.0	2.0 - 4.0	2.0 - 4.0	2.0 - 4.0	
Minimum air pressure	bar	4.8	2.7	3.6	4.5	3.3	4.5	4.5	4.5	
Regulating lift	mm	20	20	20	30	50	50	50	65	
Weight	ca. kg	5.0	9.0	9.0	15.0	45.0	45.0	116.0	150.0	

Dimensions in mm.