

Actuated Valves and Actuators

Type 27515 - Pneumatic Actuator - Globe Valve (on/off)



Pneumatic Actuators for Globe Valves (on/off) including emergency handwheel

Actuator - **spring to open**, air to close

maximum air pressure for operation 6.0 bar

Actuator coating: Delta Seal GZ (silver-grey)

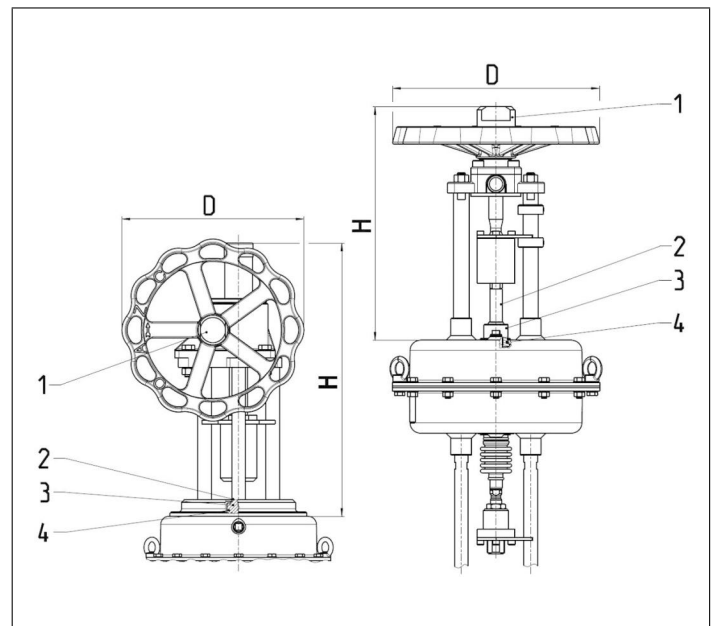
Corrosion-protection class C5-M acc. to DIN EN ISO 12944

Part No. 27515.DP3X.XXXXXX

Please find the differential pressure table and the permissible ambient temperatures listed in the standard data sheet



Materials	DIN EN	ASTM
1 Cap	1.4571	A 276 Grade 316Ti
2 Stem extension	1.4571	A 276 Grade 316Ti
3 Stem guide	1.4571	A 276 Grade 316Ti
4 O-ring	NBR	



Type 27515	Technical data				
Part No. Actuator	27515.DP3X.XXXXXX				
Dimension code	*X.XXX XXX	0.2S0 6H1	2.3S0 2H1	3.3S0 2H1	4.5S0 2H1
Diameter Handwheel	D	225	225	300	397
Height	H	284	284	297	458
Weight	ca. kg	10.0	14.0	20.0	62.0

Dimensions in mm.