

Offshore Valves

Type 27522 - Pneumatic Actuator - Globe Valve (on/off)



Pneumatic Actuators for Globe Valves (on/off)

Actuator - **spring to open**, air to close

maximum air pressure for operation 6.0 bar g

"cleaned and degreased for oxygen service"

Ambient temperature limit: -40°C / -40°F (233K) up to +80°C / 176°F (353K)



Overview - required actuator sizes for differential pressures

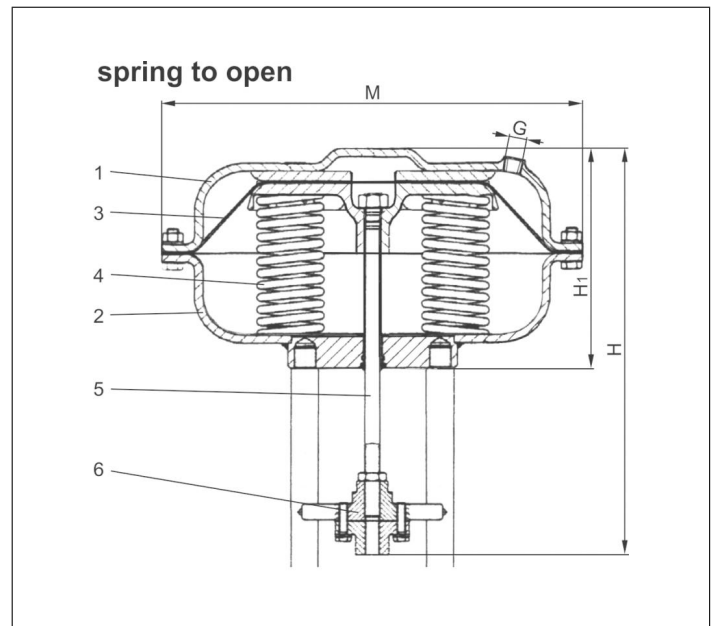
DN	Differential pressure in bar											
	1.0	5.1	7.1	14.1	17.1	19.1	22.1	26.1	29.1	35.1	37.1	45.1
	-	-	-	-	-	-	-	-	-	-	-	-
	5.0	7.0	14.0	17.0	19.0	22.0	26.0	29.0	35.0	37.0	45.0	50.0
10	B	B	B	B	B	B	B	B	B	B	B	B
15	B	B	B	B	B	B	B	B	B	B	B	B
20	B	B	B	B	B	B	B	B	B	B	B	B
25	B	B	B	B	B	B	B	B	B	B	B	B
32	B	B	B	B	B	B	B	B	B	B	C	C
40	B	B	B	B	B	B	B	B	C	C	C	C
50	B	B	B	B	B	C	C	C	C	C	C	C
65	B	B	B	C	C	C	C	C	C	C	-	-
80	B	B	C	C	C	C	-	-	-	-	-	-
100	B	C	C	-	-	-	-	-	-	-	-	-
150	-	-	-	-	-	-	-	-	-	-	-	-

The differential pressures are based on the flow direction of the valve.

Differential pressures against the flow direction have to be requested separately.

Code in Table	Part No.	Actuator
B	27522.35B6.6GPS	
C	27522.60A6.6GPS	

Materials	DIN EN	ASTM
1 Body	1.4571	A 240 Grade 316Ti
2 Body	1.4571	A 240 Grade 316Ti
3 Diaphragm	EPDM	
4 Springs	1.7102	AISI 9254
5 Actuator stem	1.4404	A 276 Grade 316L
6 Coupling	1.4571	A 240 Grade 316Ti



Type 27522	Technical data		
Part No. Actuator	27522		
	.35B6.6GPS	.60A6.6GPS	
Diameter Actuator	M	210	310
Height	H	276	309
Height	H1	136	166
Thread	G	1/4" NPT	1/4" NPT
Diaphragm area	cm ²	280	530
Spring rage	bar	0.8 - 3.0	0.8 - 2.8
Minimum air pressure	bar	6.0	6.0
Regulating lift	mm	35	40
Weight	ca. kg	5.0	12.5

Dimensions in mm.