



Pneumatic Actuators for Control Valves

Actuator - air to open, **spring to close**

Air supply - maximum 6,0bar ü

Body - stainless steel (1.4571) electropolished

Ambient temperature limit: -20°C / -4°F (253K) bis +80°C / 176°F (353K)

Overview - required actuator sizes for differential pressures

DN	Differential pressure in bar															
	1,0	2,1	4,1	6,1	8,1	10,1	12,1	15,1	17,1	19,1	22,1	25,1	29,1	35,1	39,1	42,1
	2,0	4,0	6,0	8,0	10,0	12,0	15,0	17,0	19,0	22,0	25,0	29,0	35,0	39,0	42,0	50,0
10	A	A	A	A	A	A	A	A	A	A	A	A	A	A	A	A
15	A	A	A	A	A	A	A	A	A	A	A	A	A	A	A	A
20	A	A	A	A	A	A	A	A	A	A	B	B	B	B	B	B
25	A	A	A	A	A	A	A	A	B	B	B	B	B	B	B	C
32	B	B	B	B	B	B	B	B	B	B	C	C	C	C	C	C
40	B	B	B	B	B	B	C	C	C	C	C	C	C	C	D	D
50	B	B	B	B	B	C	C	C	C	C	D	D	E	E	E	E
65	C	C	C	C	C	C	D	E	E	E	E	E	F	F	F	G
80	C	C	C	D	E	E	E	E	F	F	F	F	G	G	a.A.	
100	C	C	D	E	E	F	F	F	F	G	G	o.r. - on request				
150	D	E	F	F	G	o.r. - on request										

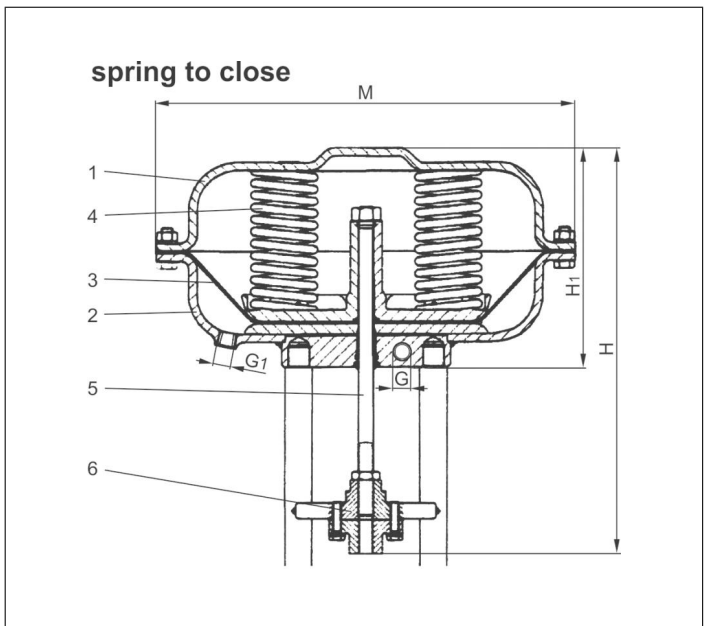


The differential pressures are based on the flow direction of the valve.

Differential pressures against the flow direction have to be requested separately.

Code in Table	Part No.	Actuator
A	27531.15A6.3SPO	
B	27531.35B6.6GPO	
C	27531.60A6.6GPO	
D	27531.60C6.7GPO	
E	27531.75B6.3DPO	
F	27531.75B6.5DPO	
G	27531.75B6.7DPO	

Materials	DIN EN	ASTM
1 Body	1.4571	A 240 Grade 316Ti
2 Body	1.4571	A 240 Grade 316Ti
3 Diaphragm		NBR
4 Springs		Cr.Si-Leg.*
5 Actuator stem	1.4571	A 276 Grade 316Ti
6 Coupling	1.4571	A 240 Grade 316Ti
* Coating:	material is corrosion resistant (Microcor Spezial) corrosion protection class C5-M	



Type 27531 Part No. Actuator	Technical Data	27531						
		.15A6.3SPO	.35B6.6GPO	.60A6.6GPO	.60C6.7GPO	.75B6.3DPO	.75B6.5DPO	.75B6.7DPO
Diameter Actuator	M	162	210	310	310	430	430	430
Height	H	256	276	309	352	353	353	353
Height	H1	116	136	166	186	234	234	234
Thread	G	G1/8" *	-	-	-	-	-	-
Thread	G1	-	1/4" NPT	1/4" NPT	1/4" NPT	3/8" NPT	3/8" NPT	3/8" NPT
Diaphragm area	cm ²	120	280	530	530	1000	1000	1000
Spring range	bar	0.9 - 2.0	0.8 - 3.0	0.8 - 2.8	0.7 - 3.0	0.7 - 2.1	1.2 - 3.4	1.6 - 4.7
Minimum air pressure	bar	2.2	3.2	3.0	3.2	2.3	3.6	4.9
Regulating lift	mm	20	35	40	60	60	60	60
Weight	ca. kg	3.0	5.0	12.5	14.0	37.0	39.0	41.0

Dimensions in mm; * with Ermeto fitting L8