

# Offshore Valves

## Type 27532 - Pneumatic Actuator - Control Valve



### Pneumatic Actuators for Control Valves

Actuator - **spring to open**, air to close

Air supply - maximum 6,0bar

Body - stainless steel (1.4571) electropolished

**Ambient temperature limit:** -20°C / -4°F (253K) bis +80°C / 176°F (353K)

### Overview - required actuator sizes for differential pressures

DN	Differential pressure in bar									
	1,0	5,1	13,1	15,1	21,1	23,1	29,1	34,1	37,1	
	5,0	13,0	15,0	21,0	23,0	29,0	34,0	37,0	50,0	
10	A	A	A	A	A	A	A	A	A	A
15	A	A	A	A	A	A	A	A	A	A
20	A	A	A	A	A	A	A	A	A	A
25	A	A	A	A	A	A	A	A	A	A
32	B	B	B	B	B	B	B	B	B	C
40	B	B	B	B	B	B	B	C	C	C
50	B	B	B	B	C	C	C	C	C	C
65	C	C	C	C	C	C	C	C	E	E
80	C	C	C	C	D	E	E	E	E	E
100	C	C	D	E	E	E	E	E	E	E
150	D	E	E	E	E					o.r. - on request

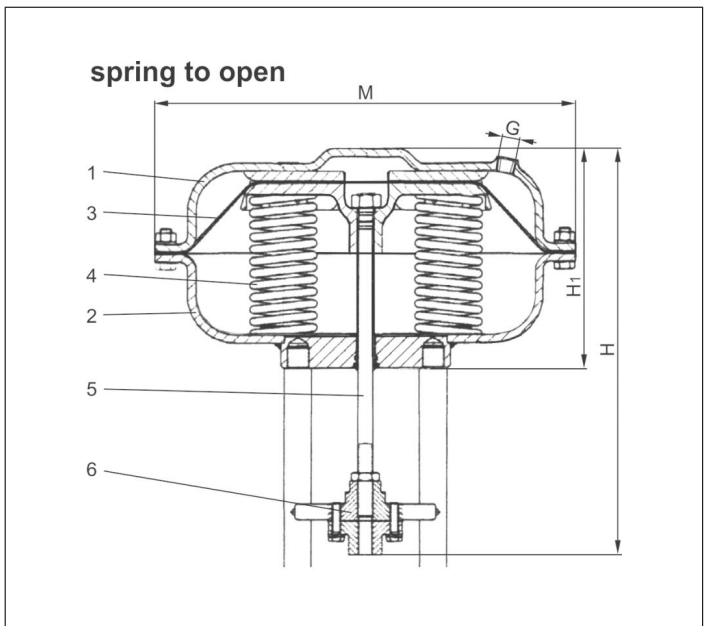


The differential pressures are based on the flow direction of the valve.

Differential pressures against the flow direction have to be requested separately.

Code in Table	Part No.	Actuator
A	27532.15A6.3SPS	
B	27532.35B6.6GPS	
C	27532.60A6.6GPS	
D	27532.60C6.7GPS	
E	27532.75B6.2SPS	

Materials	DIN EN	ASTM
1 Body	1.4571	A 240 Grade 316Ti
2 Body	1.4571	A 240 Grade 316Ti
3 Diaphragm		NBR
4 Springs		Cr.Si-Leg.*
5 Actuator stem	1.4571	A 276 Grade 316Ti
6 Coupling	1.4571	A 240 Grade 316Ti
* Coating:	material is corrosion resistant (Microcor Spezial) corrosion protection class C5-M	



Type 27532		Technical data				
Part No.	Actuator	27532				
		.15A6.3SPS	.35B6.6GPS	.60A6.6GPS	.60C6.7GPS	.75B6.2SPS
Diameter Actuator	M	162	210	310	310	430
Height	H	256	276	309	352	353
Height	H1	116	136	166	186	234
Thread	G	1/4" NPT	1/4" NPT	1/4" NPT	1/4" NPT	3/8" NPT
Diaphragm area	cm <sup>2</sup>	120	280	530	530	1000
Spring range	bar	0.9 - 2.0	0.8 - 3.0	0.8 - 2.8	0.7 - 3.0	0.3 - 0.9
Minimum air pressure	bar	6.0	6.0	6.0	6.0	6.0
Regulating lift	mm	20	35	40	60	60
Weight	ca. kg	3.0	5.0	12.5	14.0	37.0

Dimensions in mm.