

Actuated Valves and Actuators

Type 27553 - Pneumatic Actuator - Globe Valve (On/off and Control Valve)



Pneumatic Actuators for Type 11C01 - Globe Valve FULLX

Actuator - **spring to close**, air to open

Air pressure for operation: min. 6 bar - max. 10 bar

Medium: Air

Silencer: bronze

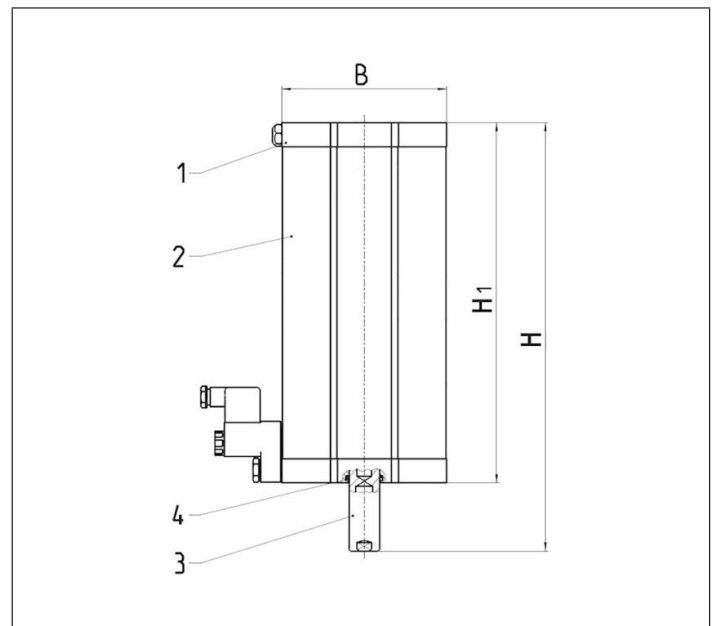
Incl. accessories:

- Inductive Proximity Switches Reed contact: 5-30V DC
3m cable
- 3/2-way solenoid valve: connection G1/8"
24V DC
Normally closed

Ambient temperature limit: -20°C / -4°F (253K) up to +80°C / 176°F (353K)



Materials	DIN EN	ASTM
1 Head/Lid	Aluminium die casting	
2 Body	Aluminium anodised	
3 Actuator stem	1.4305	AISI 303
4 Seals	Polyurethane and NBR	



Type 27553		Technical Data				
Part No.	Actuator	27553				
		.0080	.0100	.0125	.0160	.0200
		.0025	.0025	.0045	.0045	.0045
Diameter Actuator	M	95.5	113.5	135	180	220
Height	H	ca. 268	ca. 272	ca. 352	ca. 279	ca. 564
Height	H1	234	237	296	222	507
Thread	G	G 1/8"	G 1/8"	G 1/8"	G 1/8"	G 1/8"
Diaphragm area	cm ²	50	78	123	201	314
Minimum air pressure	bar	6-10	6-10	6-10	6-10	6-10
Regulating lift	mm	20	20	40	40	40
Weight	ca. kg	4.5	6.3	7.5	13.3	40.3

Dimensions in mm.

Actuated Valves and Actuators

Type 27553 - Pneumatic Actuator - Globe Valve (On/off and Control Valve)



Overview - required actuator sizes for differential pressures

with bellows or control pl. or throttling cone

DN	Body	Differential pressure in bar					
		1.0 - 15.9	16.0 - 18.9	19.0 - 25.9	26.0 - 37.9	38.0 - 44.9	45.0 - 63.0
10/15	S/A/Y	A	A	B	B	B	C
20/25	S/A/Y	A	B	B	B	C	C
32/40	S/A/Y	C	C	D	D	D	E
50	S/A/Y	C	C	D	E	E	E

S = Straight body, A = Angle type, Y = Y type

without bellows and with shut-off cone

DN	Body	Differential pressure in bar					
		1.0 - 15.9	16.0 - 18.9	19.0 - 25.9	26.0 - 37.9	38.0 - 44.9	45.0 - 63.0
10/15	S/A/Y	A	A	B	B	B	B
20/25	S/A/Y	A	B	B	C	C	C
32/40	S/A/Y	C	C	C	D	D	E
50	S/A/Y	C	D	D	E	E	E

S = Straight body, A = Angle type, Y = Y type

The differential pressures are based on the flow direction of the valve.

Differential pressures against the flow direction have to be requested separately.

Code in Table	Part-No. Actuator
A	27553.0080.0025
B	27553.0100.0025
C	27553.0125.0045
D	27553.0160.0045
E	27553.0200.0045