

Spare Parts for Valves and Fill Cluster

Type 28302 - Topwork Angle Type



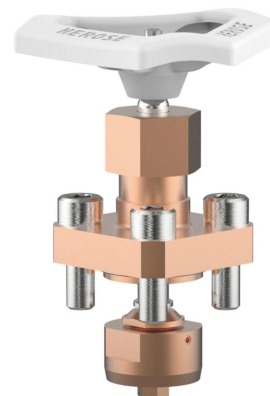
for Cryogenic-Globe Valves Angle Type

Bronze topwork,
 "live loaded" gland packing
 "cleaned and degreased for oxygen service"

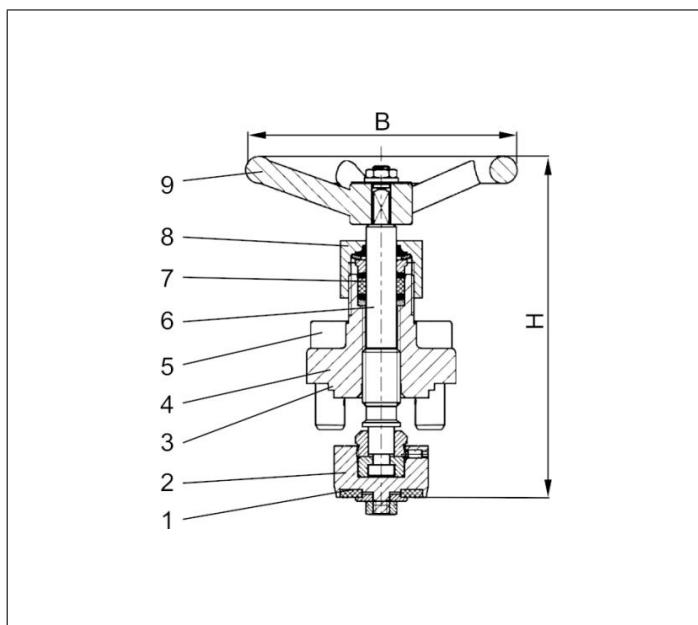
Part No. 28302.X.0000

suitable for:

Type	Nominal size
01332	DN15 - DN50



Materials	DIN EN	ASTM
1 Valve seal	PTFE / Carbon filled (25%)	
2 Disc	CW614N B 283 UNS C38500	
3 Bonnet gasket	PTFE	
4 Headpiece	CC493K B 505 UNS C93200	
5 Bolts	1.4301/A2 A 194 B8	
6 Stem	1.4301 A 276 Grade 304	
7 Gland packing	Graphite / PTFE	
8 Gland nut	CW614N B 283 UNS C38500	
9 Handwheel	Aluminium alloy	



Type 28302	Technical data							in preparation		
Nominal size	DN	15	20	25	32	40	50	80	100	
Dimension code	.X.	0150	0200	0250	0320	0400	0500	-	-	
Height	H	130	130	130	155	160	185	-	-	
Number of bolts		4	4	4	4	4	6	-	-	
Handwheel-Ø	B	100	100	100	125	125	125	-	-	
Weight	ca. kg	0.7	0.95	1.0	1.5	1.9	2.7	-	-	

Dimensions in mm.