

Spare Parts for Valves and Fill Cluster

Type 28311 - Topwork



for Cryogenic-Globe and Globe/Check Valves

Bronze topwork
 "live loaded" gland packing
 "cleaned and degreased for oxygen service"

Part No. 28311.X.0010 (H=270mm)

Part No. 28311.X.0020 (H=370mm)

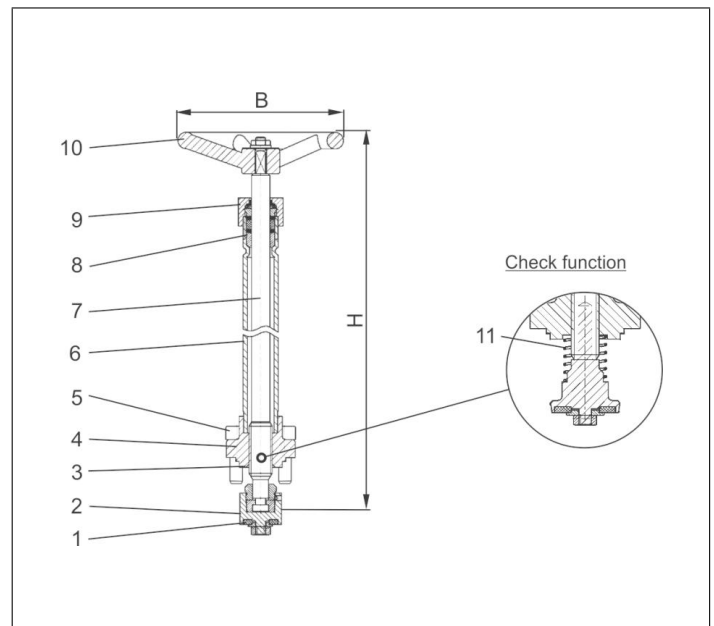
Part No. 28311.X.5010 (H=270mm) with check function

Part No. 28311.X.5020 (H=370mm) with check function

suitable for:

Type	Nominal size
01311, 01315, 02411	DN10 - DN50
01321	DN10 - DN150
01325	DN10 - DN50
03321	DN25 - DN150
07003 - only drain valve	DN15
07004 - only drain valve	DN15

Materials	DIN EN	ASTM
1 Valve seal	PTFE / Carbon filled (25%)	
2 Disc	CW614N B 283 UNS C38500	
3 Bonnet gasket	PTFE	
4 Headpiece	CC493K B 505 UNS C93200	
5 Bolts	1.4301/A2 A 194 B8	
6 Elongation tube	1.4541 A 213 TP 321	
7 Stem	1.4301 A 276 Grade 304	
8 Gland packing	Graphite / PTFE	
9 Gland nut	CW614N B 283 UNS C38500	
10 Handwheel	Aluminium alloy	
11 Spring	CW452K B 159 UNS C51900	



Type 28311	Technical data											
Nominal size	DN	10	15	20	25	32	40	50	65	80	100	150
Dimension code	.X.	0100	0150	0200	0250	0320	0400	0500	0650	0800	1000	1500
Height	H	270 mm or 370 mm							370	370	370	420
Number of bolts		4	4	4	4	4	4	6	6	6	6	6
Handwheel-Ø	B	100	100	100	100	125	125	125	200	250	315	350
Weight	ca. kg	1.0	1.1	1.4	1.4	2.0	2.4	3.0	5.5	6.8	9.5	18.4

Dimensions in mm.