

Spare Parts for Valves and Fill Cluster

Type 28341 - Topwork



for Cryogenic-Globe and Globe/Check Valves

Stainless steel topwork,
 "live loaded" gland packing
 "cleaned and degreased for oxygen service"

Part No. 28341.X.0010 (H=270mm)

Part No. 28341.X.0020 (H=370mm)

Part No. 28341.X.5010 (H=270mm) with check function

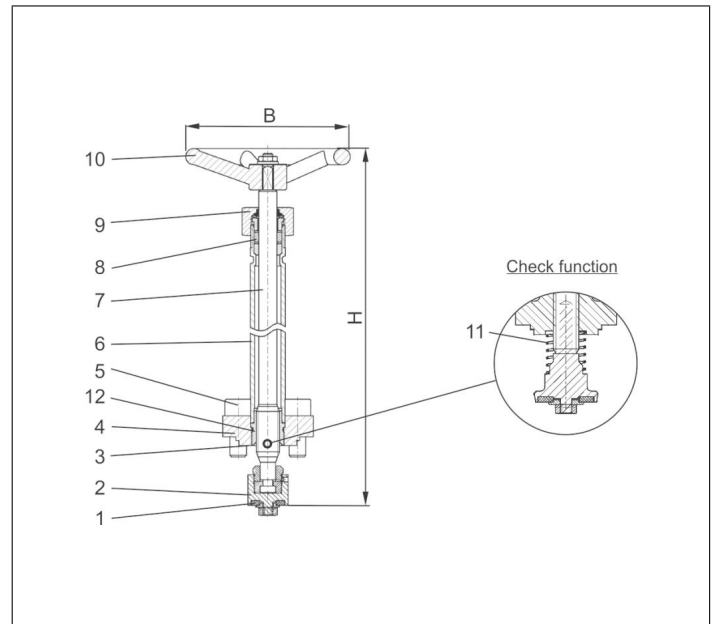
Part No. 28341.X.5020 (H=370mm) with check function

suitable for:

Type	Nominal size
01341	DN10 - DN200
01345	DN10 - DN50
03341	DN25 - DN150



Materials	DIN EN	ASTM
1 Valve seal	PTFE / Carbon filled (25%)	
2 Disc	1.4301	A 276 Grade 304
3 Bonnet gasket	PTFE	
4 Headpiece	1.4301 / 1.4308	A 276 Grade 304 / A 351 CF8
5 Bolts	1.4301/A2	A 194 B8
6 Elongation tube	1.4541	A 213 TP 321
7 Stem	1.4301	A 276 Grade 304
8 Gland packing	Graphite / PTFE	
9 Gland nut	1.4305	A 276 Grade 303
10 Handwheel	Aluminium alloy	
11 Spring	1.4310	A 313 Grade 301
12 Bush	CW452K	B 159 UNS C51900



Type 28341	Technical data												
Nominal size	DN	10	15	20	25	32	40	50	65	80	100	150	200
Dimension code	.X.	0100	0150	0200	0250	0320	0400	0500	0650	0800	1000	1500	2000
Height	H	270 mm or 370 mm							370	370	370	420	560
Number of bolts		4	4	4	4	4	4	6	6	6	6	6	12
Handwheel-Ø	B	100	100	100	100	125	125	125	200	250	315	350	630
Weight	ca. kg	1.0	1.1	1.4	1.4	2.0	2.4	3.0	5.5	6.8	9.5	18.4	56.8

Dimensions in mm.