

# Spare Parts for Valves and Fill Cluster

## Type 28342 - Topwork Angle Type



### for Cryogenic-Globe Valves Angle Type

Stainless steel topwork,  
 "live loaded" gland packing  
 "cleaned and degreased for oxygen service"

**Part No. 28342.X.0010 (H=270mm)**

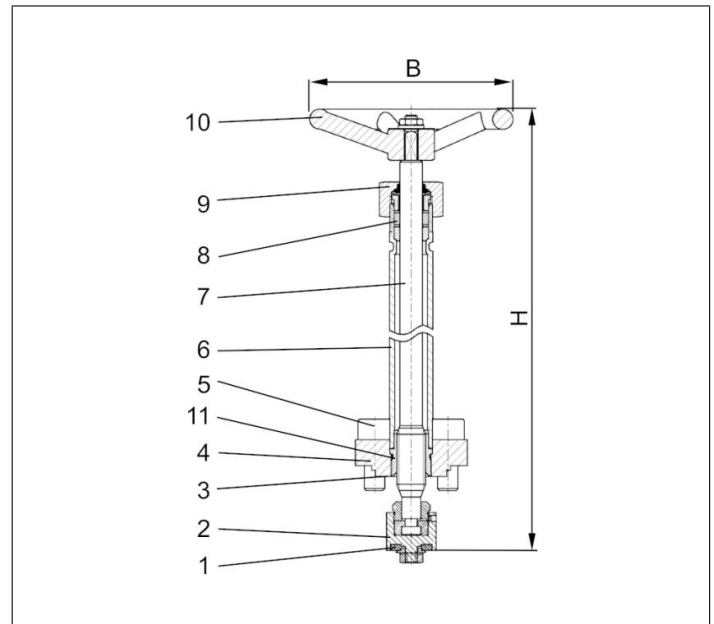
**Part No. 28342.X.0020 (H=370mm)**

### suitable for:

Type	Nominal size
01342	DN15 - DN50
07017	DN25 & DN40



Materials	DIN EN	ASTM
1 Valve seal	PTFE / Carbon filled (25%)	
2 Disc	1.4301	A 276 Grade 304
3 Bonnet gasket	PTFE	
4 Headpiece	1.4301 / 1.4308	A 276 Grade 304 / A 351 CF8
5 Bolts	1.4301/A2	A 194 B8
6 Elongation tube	1.4541	A 213 TP 321
7 Stem	1.4301	A 276 Grade 304
8 Gland packing	Graphite / PTFE	
9 Gland nut	1.4305	A 276 Grade 303
10 Handwheel	Aluminium alloy	
11 Bush	CW452K	B 159 UNS C51900



Type 28342	Technical data							in preparation		
Nominal size	DN	15	20	25	32	40	50	80	100	
Dimension code	.X.	0150	0200	0250	0320	0400	0500	-	-	
Height	H	270 mm or 370 mm							-	-
Number of bolts		4	4	4	4	4	6	-	-	
Handwheel-Ø	B	100	100	100	100	125	125	-	-	
Weight	ca. kg	1.1	1.4	1.4	2.0	2.4	3.0	-	-	

Dimensions in mm.