

Spare Parts for Valves and Fill Cluster

Type 29240 - Disc complete



for Cryogenic-Gate Valves

brass disc CW452K

"cleaned and degreased for oxygen service"

consisting of:

1 x Disc complete (incl. disc seal PTFE/Carbon filled (25%))

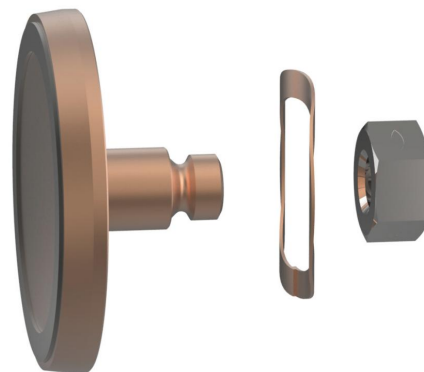
1 x Spring ring

1 x Disc nut self locking

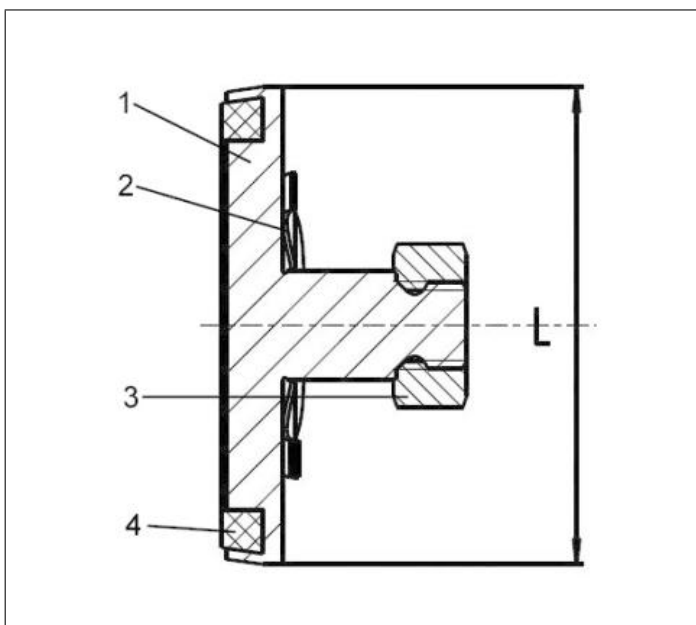
Part No. 29240.X.0000

suitable for:

Type	Nominal size
09340, 09343	DN25 - DN100
09345, 09440, 09443	DN25 - DN65



Materials	DIN EN	ASTM
1 Disc	CW614N	B 283 UNS C38500
2 Spring ring	1.4568	UNS 631
3 Nut	1.4301/A2 A 194 B8	
4 Valve seal	PTFE / Carbon filled (25%)	



Type 29240	Technical data						
Nominal size	DN	25	40	50	65	80	100
Dimension code	.X.	0250	0400	0500	0650	0800	1000
Disc-Ø	L	34	44	55	70	78	107
Weight	ca. kg	0.05	0.08	0.15	0.18	0.20	0.56

Dimensions in mm.