

Spare Parts for Valves and Fill Cluster

Type 29256 - Wedge complete



for Cryogenic-Gate Valves

"cleaned and degreased for oxygen service"

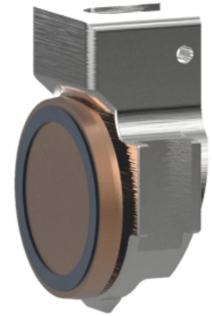
consisting of:

- 1 x Wedge
- 1 x Disc complete (incl. disc seal PTFE/Carbon filled (25%))
- 1 x Spring ring
- 1 x Disc nut self locking
- 1 x bearing bolt

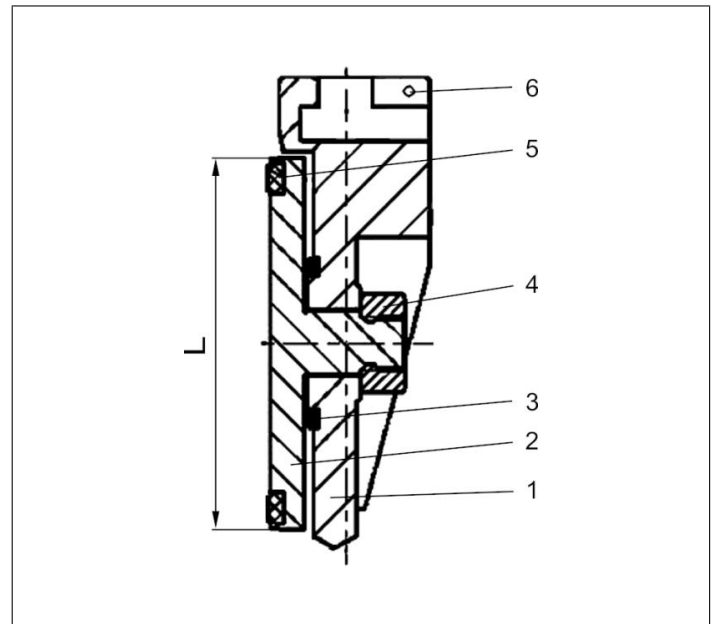
Part No. 29256.X.0000

suitable for:

Type	Nominal size
09340, 09343	DN25 - DN100
09345, 09440, 09443	DN25 - DN65



Materials	DIN EN	ASTM
1 Wedge	1.4308	A 351 CF8
2 Disc	CW452K	B 159 UNS C51900
3 Spring ring	1.4568	UNS 631
4 Nut	1.4301/A2	A 194 B8
5 Valve seal	PTFE / Carbon filled (25%)	
6 Bearing bolt	1.4301	A 276 Grade 304



Type 29256	Technical data						
Nominal size	DN	25	40	50	65	80	100
Dimension code	.X.	0250	0400	0500	0650	0800	1000
Disc-Ø	L	34	45	55	70	78	108
Weight	ca. kg	0.21	0.33	0.57	0.74	1.06	2.13

Dimensions in mm.