

Spare Parts for Valves and Fill Cluster

Type 29340 - Topwork



for Cryogenic-Gate Valves

Stainless steel topwork,
 one way tightening (in flow direction),
 "live loaded" gland packing
 "cleaned and degreased for oxygen service"

Part No. 29340.0400.0010 (DN40)

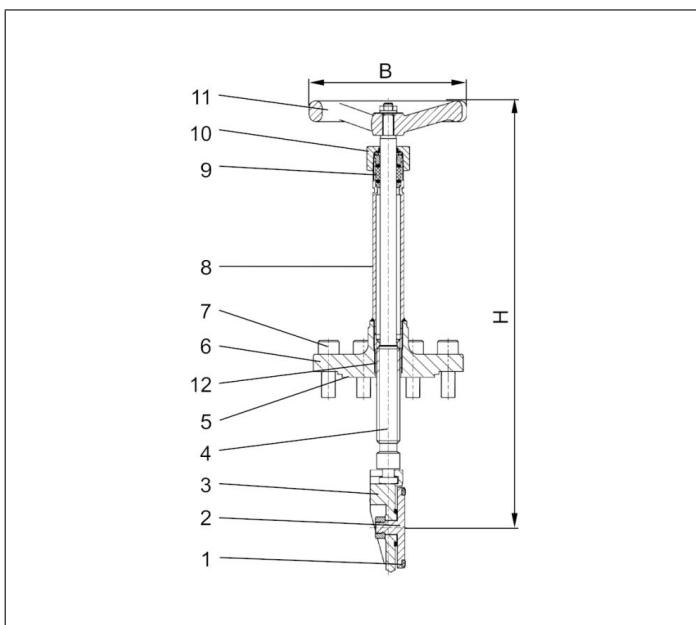
Part No. 29340.X.0020

suitable for:

Type	Nominal size
09340	DN25 - DN100



Materials	DIN EN	ASTM
1 Valve seal	PTFE / Carbon filled (25%)	
2 Disc	CW452K B 159 UNS C51900	
3 Wedge	1.4308	A 351 CF8
4 Stem	1.4301	A 276 Grade 304
5 Bonnet gasket	PTFE	
6 Headpiece	1.4308	A 351 CF8
7 Bolts	1.4301/A2	A 194 B8
8 Elongation tube	1.4541	A 213 TP 321
9 Gland packing	Graphite / PTFE	
10 Gland nut	1.4305	A 276 Grade 303
11 Handwheel	Aluminium alloy	
12 Bush	CW452K B 159 UNS C51900	



Type 29340	Technical data						
Nominal size	DN	25	40	50	65	80	100
Dimension code	.X.	0250	0400	0500	0650	0800	1000
Height	H	300/400	320/420	360	370	380	470/570
Number of bolts		4	4	6	8	6	8
Handwheel-Ø	B	125	125	150	150	150	200
Weight	ca. kg	2.0	2.3	3.6	4.2	5.5	10.4

Dimensions in mm.