

Spare Parts for Actuated Valves

Type 29343 - Topwork with pneumatic actuator



for Cryogenic-Gate Valves with Pneumatic Actuator

air pressure for operation 4,0 bar g (maximal 10,0 bar g), push-in connection 8mm

Stainless steel topwork,

Actuator - air opens, spring closes

one way tightening (in flow direction),

"live loaded" gland packing

"cleaned and degreased for oxygen service" - the actuator is not cleaned and degreased for oxygen

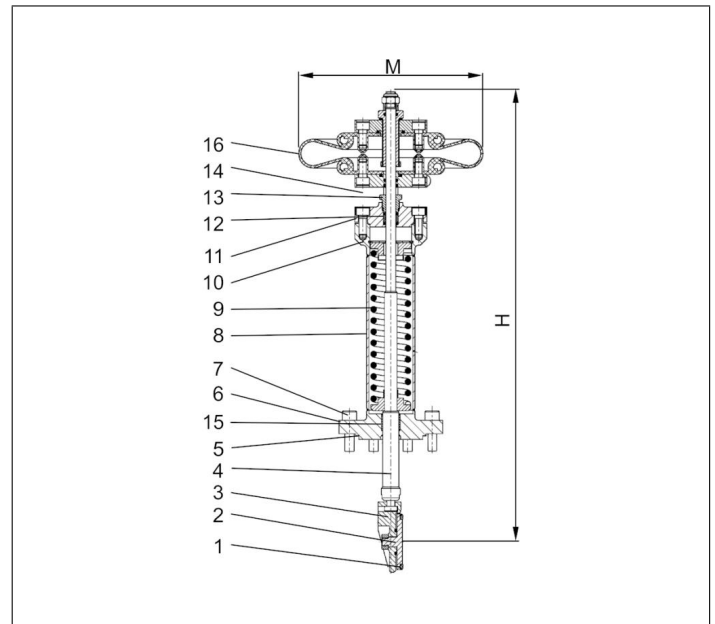
Part No. 29343.X.T020

suitable for:

Type	Nominal size
09343	DN25 - DN100
09443	DN25 - DN65



Materials	DIN EN	ASTM
1 Valve seal	PTFE / Carbon filled (25%)	
2 Disc	CW452K	B 159 UNS C51900
3 Wedge	1.4308	A 351 CF8
4 Stem	1.4301	A 276 Grade 304
5 Bonnet gasket	PTFE	
6 Headpiece	1.4308	A 351 CF8
7 Bolts	1.4301/A2	A 194 B8
8 Elongation tube	1.4541	A 213 TP 321
9 Spring	1.4571	A 313 Grade 316Ti
10 Flange	1.4301	A 276 Grade 304
11 Headpiece	1.4301	A 276 Grade 304
12 Gland packing	Graphite / PTFE	
13 Gland nut	1.4305	A 276 Grade 303
14 Pillars	1.4301	A 276 Grade 304
15 Bush	CW452K	B 159 UNS C51900
16 Actuator	Rubber	



Type 29343.X.T020	Technical data						
Nominal size	DN	25	40	50	65	80	100
Dimension code	.X.	0250	0400	0500	0650	0800	1000
Height	H	500	520	540	560	580	780
Number of bolts		4	4	6	8	6	8
Handwheel-Ø	M	229	229	229	229	229	244
Weight	ca. kg	8.5	8.6	9.6	10.5	11.6	19.0

Dimensions in mm.