

Spare Parts for Actuated Valves

Type 30353 - Sealing spare part kit



for Cryogenic-Globe Valves

"cleaned and degreased for oxygen service"

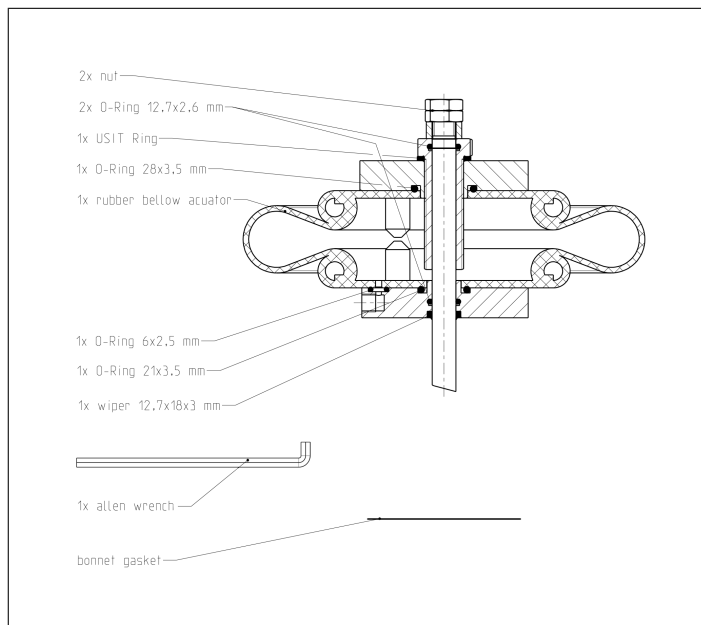
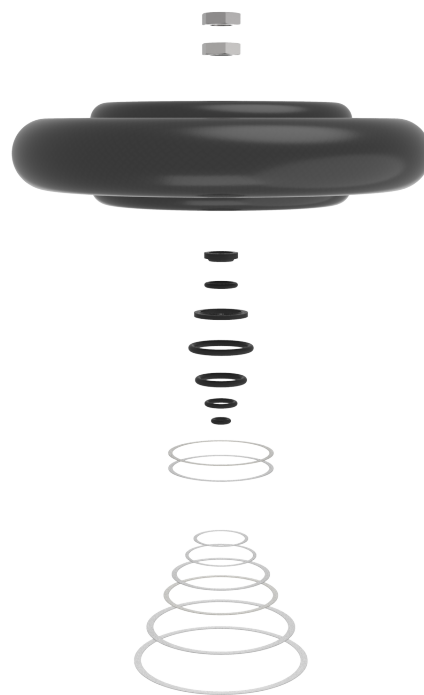
consisting of:

- 2x nut ISO4035-M12
- 1x FIRESTONE rubber bellow actuator
- 1x wiper
- 1x USIT-Ring
- 5x O-Ring
- 2x upper bonnet gasket PTFE
- 6x lower bonnet gasket kit PTFE DN20/25/40/50/65/80
- 1x allen wrench 8mm

Part No. 30353.0000.T000

suitable for:

Type	Nominal size
01353	DN20 - DN80



Type 30353	Technical data	
Nominal size	DN	20 - 80
Dimension code	.X.	0000
Weight	ca. kg	1.35

Dimensions in mm.