

Spare Parts for Actuated Valves

Type 30353 - Sealing spare part kit



for Cryogenic-Globe Valves

"cleaned and degreased for oxygen service"

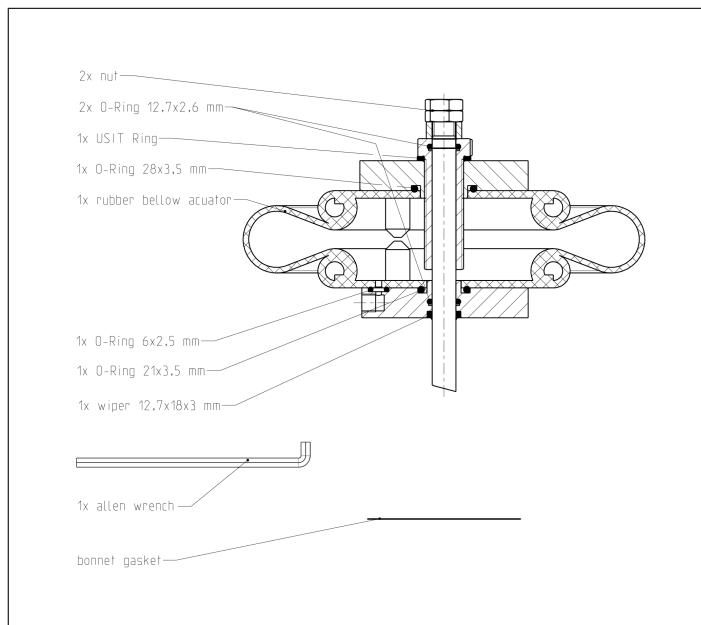
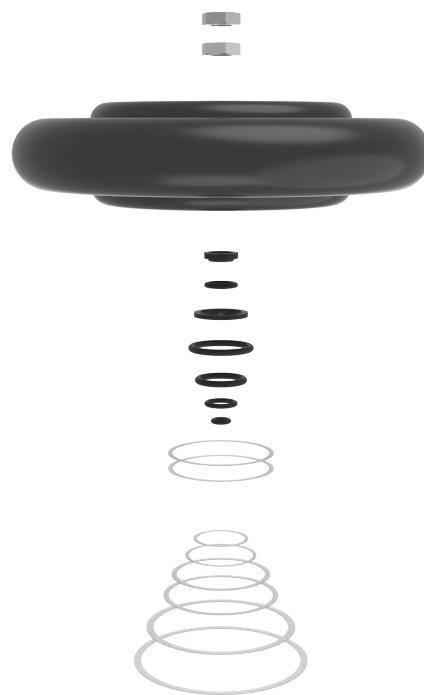
consisting of:

- 2x nut ISO4035-M12
- 1x FIRESTONE rubber bellow actuator
- 1x wiper
- 1x USIT-Ring
- 5x O-Ring
- 2x upper bonnet gasket PTFE
- 6x lower bonnet gasket kit PTFE DN25/40/50/65/80/100
- 1x allen wrench 8mm

Part No. 30353.X.S000

suitable for:

Type	Nominal size
09343	DN25 - DN100



Type 30353	Technical data		
Nominal size	DN	25 - 80	100
Dimension code	.X.	0000	1000
Weight	ca. kg	1.34	1.51

Dimensions in mm.