

Spare Parts for Valves and Fill Cluster

Type 50155 - Anti-icing shield



for Cryogenic-Globe Valves

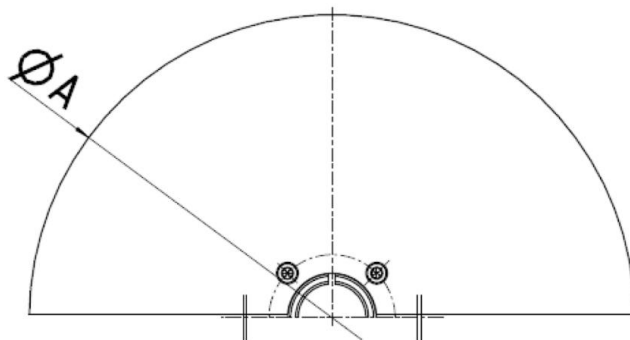
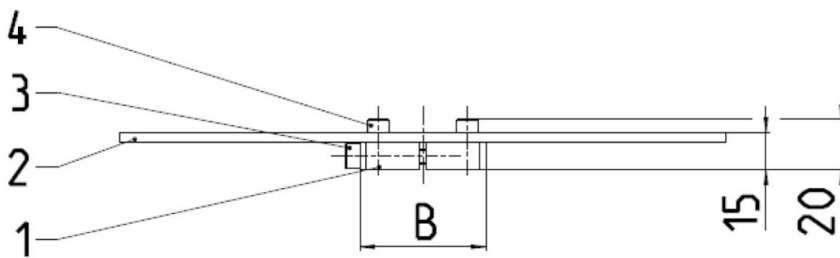
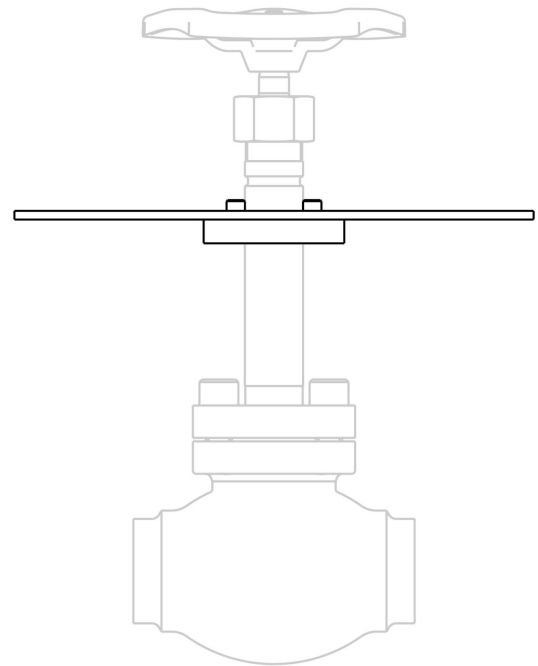
consisting of:

- 1x holder 2-piece 1.4404
- 1x Anti-icing device 2-piece AlMgSi0,5
- 4x Countersunk screw M5x12 A4-70
- 2x Cylinder head screw M6x35 A4-70

Part No. 50155.X.0441

suitable for:

Type	Nominal size
01311, 01315, 02411	DN10 - DN50
01321, 01325	DN10 - DN200
01341, 01345	DN10 - DN200
01641, 01645	DN10 - DN200
01741, 01745	DN10 - DN200
01841, 01845	DN10 - DN200
03321, 03341	DN10 - DN200



Type 50155	Technical data												
Nominal size	DN	10	15	20	25	32	40	50	65	80	100	150	200
Dimension code	.X.	0006	0006	0006	0006	0005	0005	0005	0005	0005	0008	0008	0011
Plate diameter	A	200	200	200	200	240	240	240	240	240	280	280	350
Holder length	B	50	50	50	50	50	50	50	50	50	50	50	100
Weight	ca. kg	0.59	0.59	0.59	0.59	0.72	0.72	0.72	0.72	0.72	0.90	0.90	1.48

Dimensions in mm.