

# Spare Parts for Valves and Fill Cluster

## Type 50155 - Anti-icing shield



for Cryogenic-Globe Valves with 2 yoke rods

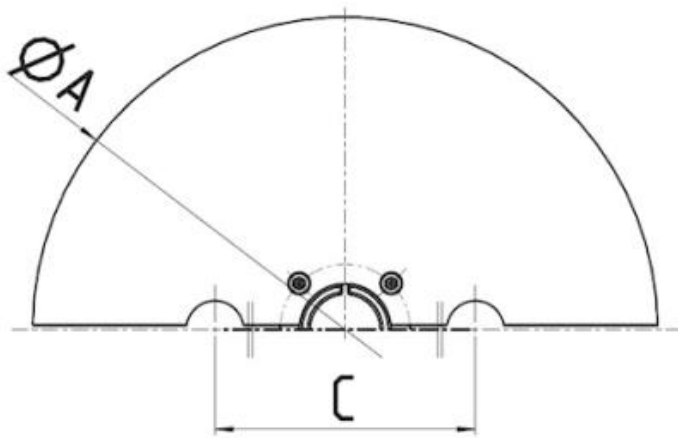
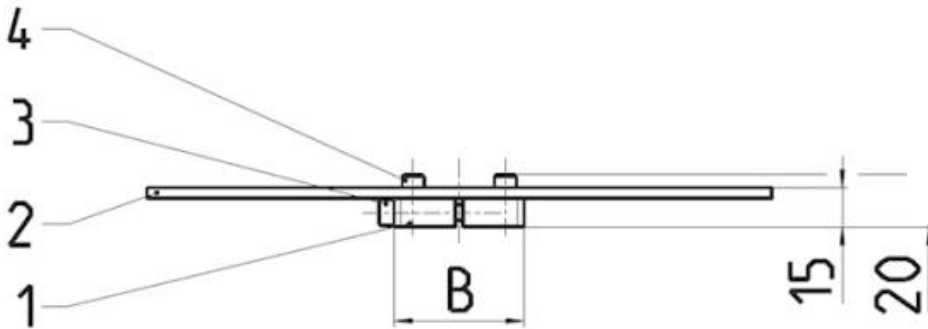
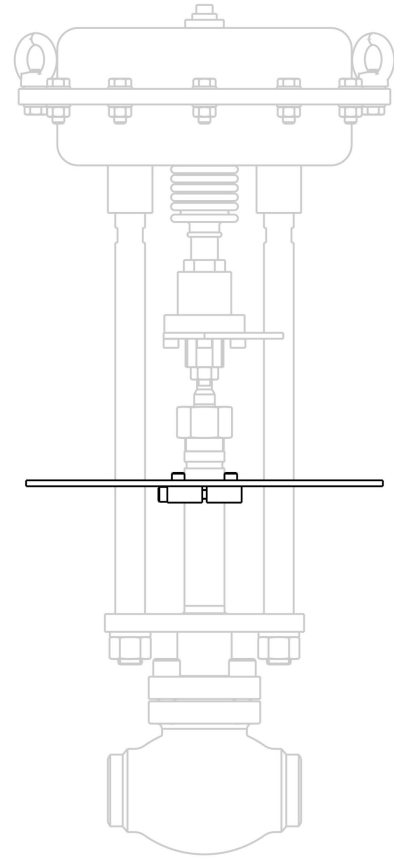
consisting of:

- 1x holder 2-piece 1.4404
- 1x Anti-icing device 2-piece AlMgSi0,5
- 4x Countersunk screw M5x12 A4-70
- 2x Cylinder head screw M6x35 A4-70

**Part No. 50155.X.0441**

suitable for:

Type	Nominal size
01313, 02413	DN10 - DN50
01323	DN10 - DN80
01343	DN10 - DN80
01643	DN10 - DN80
01743	DN10 - DN80
01843	DN10 - DN80
03323, 03343	DN10 - DN80



Type 50155	Technical Data									
Nominal size	DN	10	15	20	25	32	40	50	65	80
Dimension code	.X.	0006	0006	0006	0006	0007	0007	0007	0007	0007
Plate diameter	A	200	200	200	200	240	240	240	240	240
Holder length	B	50	50	50	50	50	50	50	50	50
Yoke rods distance	C	100	100	100	100	100	100	100	100	100
Weight	ca. kg	0.59	0.59	0.59	0.59	0.72	0.72	0.72	0.72	0.72

Dimensions in mm.