

Spare Parts for Valves and Fill Cluster

Type 50155 - Anti-icing shield



for Cryogenic-Globe Valves with 2 yoke rods

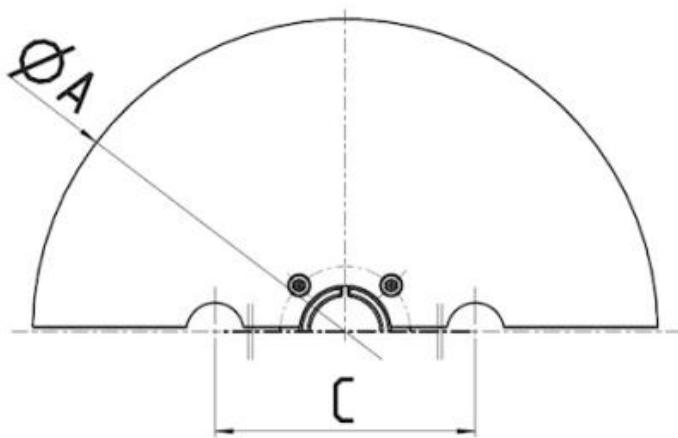
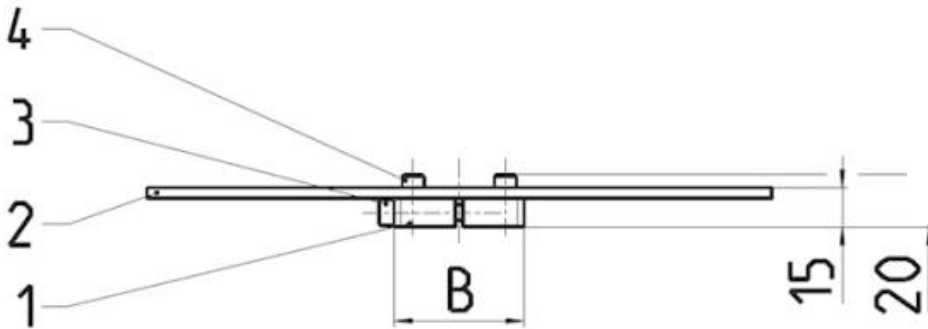
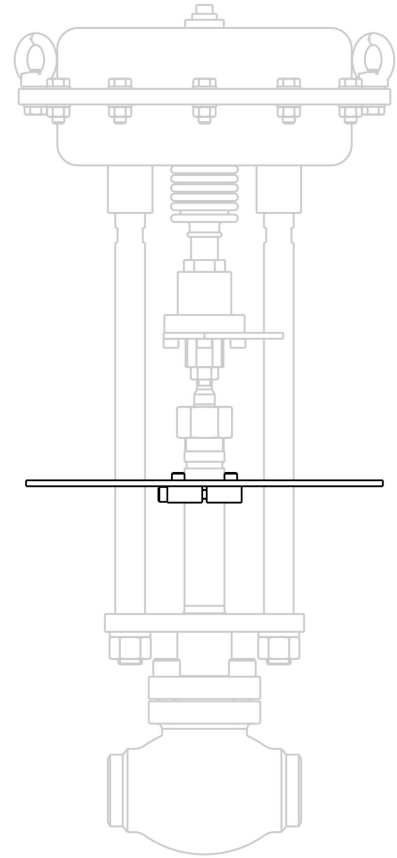
consisting of:

- 1x holder 2-piece 1.4404
- 1x Anti-icing device 2-piece AlMgSi0,5
- 4x Countersunk screw M5x12 A4-70
- 2x Cylinder head screw M6x35 A4-70

Part No. 50155.X.0441

suitable for:

Type	Nominal size
01323	DN65 - DN100
01343	DN65 - DN100
01643	DN65 - DN100
01743	DN65 - DN100
01843	DN65 - DN100
03323, 03343	DN65 - DN100



Type 50155	Technical data			
Nominal size	DN	65	80	100
Dimension code	.X.	0009	0009	0009
Plate diameter	A	280	280	280
Holder length	B	50	50	50
Yoke rods distance	C	100	100	100
Weight	ca. kg	0.90	0.90	0.90

Dimensions in mm.